



## VEGAPULS 67



Radar sensor for continuous level measurement of bulk solids

### Application area

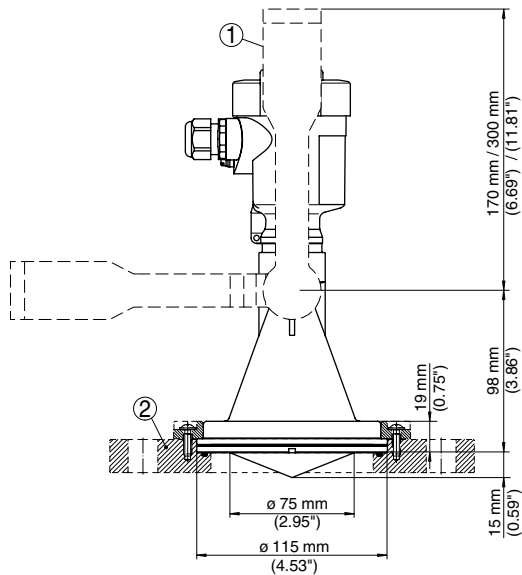
VEGAPULS 67 is suitable for level measurement of bulk solids. The application possibilities can be found in the food processing industry, the plastic processing and steel production as well as in the building industry.

### Advantages

- Non-contact measurement
- Simple mounting
- Wear and maintenance-free
- Unaffected by pressure, temperature, gas and dust
- High measuring accuracy
- SIL qualified

### Function

Extremely short microwave pulses are emitted via the antenna system to the measured product, reflected by the product surface and received again by the antenna system. The time from emission to reception of the signals is proportional to the level. A special evaluation procedure ensures a reliable and precise measurement.



- 1 Mounting strap
- 2 Adapter flange

You will find further process fittings and options under [www.vega.com/configurator](http://www.vega.com/configurator)  
You will find further drawings and tables under [www.vega.com/downloads](http://www.vega.com/downloads)  
You will find mounting accessory and welded sockets in chapter "Accessory"



**Approval**

- XX without .....
- GX II 1D, 1/2D, 2D Ex t IIIC T... Da, Da/Db, Db .....
- GI Ex t IIIC T... Da, Da/Db, Db .....

**Version / Material / Process temperature**

- B with plastic horn antenna ø80mm / PP / -40...80°C .....

**Process fitting / Material**

- XX without compression flange .....
- XC Mounting strap 170mm / 1.4404 .....
- XD Mounting strap 300mm / 1.4404 .....
- YD Combi compr. flange DN80PN16, ANSI3", 150 lb / PPH .....
- AE Adapter flange DN100PN16 FKM(Viton) / PPH .....
- AH Adapter flange DN150PN16 FKM(Viton) / PPH .....
- FK Adapter flange ANSI 4"150lb FKM(Viton) / PPH .....
- FM Adapter flange ANSI 6"150lb FKM(Viton) / PPH .....
- UC Adapter flange JIS DN100 10K FKM(Viton) / PPH .....
- UE Adapter flange JIS DN150 10K FKM(Viton) / PPH .....

**Electronics**

- H Two-wire 4...20mA/HART® .....
- V Four-wire 4...20mA/HART® .....
- P Profibus PA .....
- F Foundation Fieldbus .....

**Housing / Protection**

- K Plastic / IP 66/IP 67 .....
- A Aluminium / IP66/IP68 (0.2 bar) .....
- D Aluminium double chamber / IP66/IP68 (0.2 bar) .....
- V StSt (precision casting) 316L / IP66/IP68 (0.2 bar) .....

**Cable entry / Cable gland / Plug connection**

- M M20x1.5 / with / without .....
- N ½NPT / without / without .....

**Ind./adj.module (PLICSCOM) / Radio module PLICSMOBILE**

- X without / without .....
- A mounted / without .....

**Additional equipment**

- X without .....

PS67.											
-------	--	--	--	--	--	--	--	--	--	--	--



Thank you for reading this data sheet.

For pricing or for further information, please contact us at our UK Office, using the details below.



**UK Office**

**Keison Products,**

**P.O. Box 2124, Chelmsford, Essex, CM1 3UP, England.**

**Tel: +44 (0)330 088 0560**

**Fax: +44 (0)1245 808399**

**Email: [sales@keison.co.uk](mailto:sales@keison.co.uk)**

Please note - Product designs and specifications are subject to change without notice. The user is responsible for determining the suitability of this product.