

VEGAPULS 68



Radar sensor for continuous level measurement of bulk solids

Application area

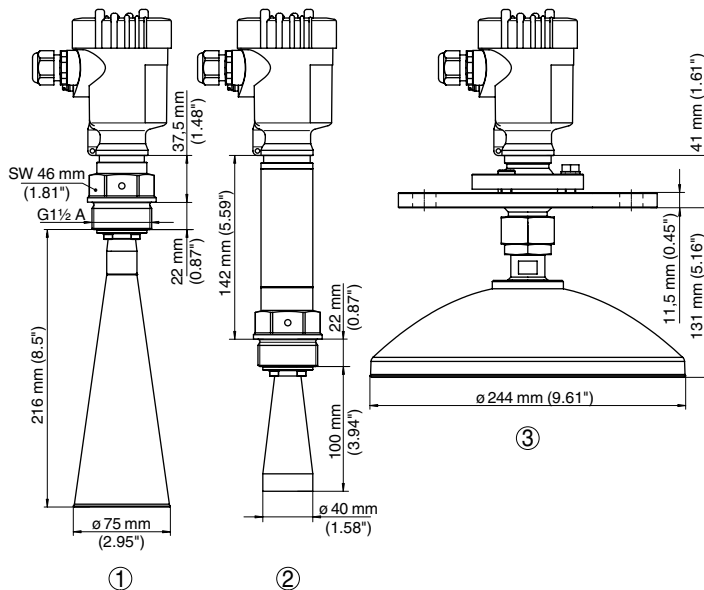
VEGAPULS 68 is suitable for level measurement of bulk solids also under difficult process conditions. The mechanical construction as well as the electronics are optimised for this application. The application possibilities can be found in the food processing industry, the plastic processing and steel production as well as in the building industry.

Advantages

- Non-contact measurement
- Simple mounting
- Wear and maintenance-free
- Unaffected by pressure, temperature, gas and dust
- High measuring accuracy
- SIL qualified

Function

Extremely short microwave pulses are emitted via the antenna system to the measured product, reflected by the product surface and received again by the antenna system. The time from emission to reception of the signals is proportional to the level. A special evaluation procedure ensures a reliable and precise measurement.



- 1 Threaded version with horn antenna
- 2 Threaded version with horn antenna and temperature adapter
- 3 Version with parabolic antenna

Antenna-ø	Length	Beam angle
40 mm	100 mm	20°
48 mm	120 mm	15°
75 mm	216 mm	10°
95 mm	430 mm	8°
245 mm (parabolic)	138 mm	3°

You will find further process fittings and options under www.vega.com/configurator
 You will find further drawings and tables under www.vega.com/downloads
 You will find mounting accessory and welded sockets in chapter "Accessory"



Approval

- XX without
- XM Ship approval
- CX ATEX II 1G, 1/2G, 2G Ex ia IIC T5
- CM ATEX II 1G, 1/2G, 2G Ex ia IIC T5 + ship approval
- CK II 1, 1/2, 2G Ex ia IIC T6 + II 1, 1/2, 2D Ex t IIIC T.
- CI IEC Ex ia IIC T5
- DX ATEX II 1/2G, 2G Ex d ia IIC T5/T6
- DI IEC Ex d ia IIC T6
- GX II 1D, 1/2D, 2D Ex t IIIC T... Da, Da/Db, Db
- TX ATEX I M2 EEx ia I

Version / Material

- B with horn antenna ø40 mm / 316L
- C with horn antenna ø48 mm / 316L
- D with horn antenna ø75 mm / 316L
- E with horn antenna ø95 mm / 316L
- K with parabolic antenna ø245 mm / 316L

Process fitting / Material

- GD Thread G1½A (DIN 3852-A) PN40 / 316L
- ND Thread 1½NPT (ASME B1.20.1) PN40 / 316L
- GB Thread G1½A (DIN 3852-A) PN100 / 316L
- NB Thread 1½NPT (ASME B1.20.1) PN100 / 316L
- 1F Swivelling holder for flange 2" 150lb / 316L
- 1G Swivelling holder for flange 3" 150lb / 316L
- 1H Swivelling holder for flange 4" 150lb / 316L
- 1O Swivelling holder for flange DN50 / 316L
- 1P Swivelling holder for flange DN80 / 316L
- 1Q Swivelling holder with flange DN100 PN16 / 316L
- FC Flange DN50PN40 Form C, DIN2501 / 316L
- FD Flange DN80PN40 Form C, DIN2501 / 316L
- FE Flange DN100PN16 Form C, DIN2501 / 316L
- AE Flange 2" 150lb RF, ANSI B16.5 / 316L
- AI Flange 3" 150lb RF, ANSI B16.5 / 316L
- AK Flange 4" 150lb RF, ANSI B16.5 / 316L

Seal / Process temperature

- 2 FKM (Viton) and PTFE / -40...130°C
- 3 FFKM (Kalrez 6375) and PTFE / -20...130°C
- F FFKM (Kalrez 6375) and PEEK / -20...250°C
- H Graphite and ceramic / -200...450°C

Electronics

- H Two-wire 4...20mA/HART®
- B Four-wire 4...20mA/HART®; 90...253V AC; 50/60Hz
- P Profibus PA
- F Foundation Fieldbus

Housing / Protection

- K Plastic / IP 66/IP 67
- A Aluminium / IP66/IP68 (0.2 bar)
- D Aluminium double chamber / IP66/IP68 (0.2 bar)
- 8 StSt (electropolished) 316L / IP66/IP68 (0.2 bar)
- W StSt double chamber / IP66/IP68 (0.2 bar)
- R Plastic double chamber / IP66/IP67

Cable entry / Cable gland / Plug connection

- M M20x1.5 / with / without
- N ½NPT / without / without

Ind./adj.module PLICSCOM / Radio module PLICSMOBILE

- X without / without
- G without / mounted
- A mounted / without
- D mounted / mounted

Additional equipment

- X without
- K Rinsing connection
- V Rinsing connection with reflux valve

PS68.



Thank you for reading this data sheet.

For pricing or for further information, please contact us at our UK Office, using the details below.



UK Office

Keison Products,

P.O. Box 2124, Chelmsford, Essex, CM1 3UP, England.

Tel: +44 (0)330 088 0560

Fax: +44 (0)1245 808399

Email: sales@keison.co.uk

Please note - Product designs and specifications are subject to change without notice. The user is responsible for determining the suitability of this product.