



VEGAPULS WL61

Radar sensor for continuous level measurement

Application area

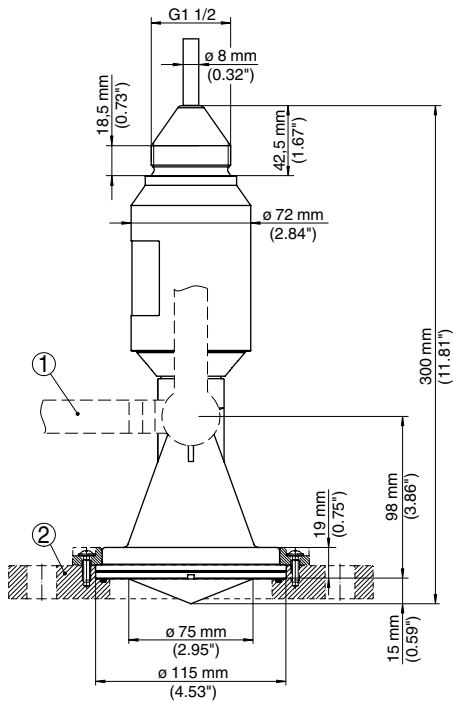
The radar sensor VEGAPULS WL61 is particularly suitable for use in water processing, pump stations, overflow basins, for flow measurement in open flumes and gauge monitoring.

Advantages

- Non-contact measurement
- Simple mounting
- High protection IP 68 (1 bar)
- Wear and maintenance-free
- Unaffected by pressure, temperature, vapour and fog
- High accuracy

Function

Extremely short microwave pulses are emitted via the antenna system to the measured product, reflected by the product surface and received again by the antenna system. The time from emission to reception of the signals is proportional to the level.



- 1 Mounting strap
- 2 Adapter flange

You will find further process fittings and options under www.vega.com/configurator
 You will find further drawings and tables under www.vega.com/downloads
 You will find mounting accessory and welded sockets in chapter "Accessory"



Approval

- XX** without
- AX** ATEX II 3G Ex nA II T5...T1 X
- CX** ATEX II 1G, 1/2G, 2G Ex ia IIC T6 Ga, Ga/Gb, Gb

Version / Material / Process temperature

- B** with plastic horn antenna ø80mm / PP / -40...80°C

Process fitting / Material

- XX** without compression flange
- XC** Mounting strap 170mm / 1.4404
- XD** Mounting strap 300 mm / 1.4404

Electronics

- H** Two-wire 4...20mA/HART®
- P** Profibus PA
- F** Foundation Fieldbus

Housing / Protection

- K** Plastic / IP68(1bar) / with cable outlet

Cable / Material / Temperature

- A** 6 m suspension cable(can be shortened)/ PUR / -40...80°
- T** selectable length / PUR / -40...80°C

Additional equipment

- X** without



PSWL61.													
---------	--	--	--	--	--	--	--	--	--	--	--	--	--

Cable length

from 5 m, per additional 100 mm cable of PUR



Thank you for reading this data sheet.

For pricing or for further information, please contact us at our UK Office, using the details below.



UK Office

Keison Products,

P.O. Box 2124, Chelmsford, Essex, CM1 3UP, England.

Tel: +44 (0)330 088 0560

Fax: +44 (0)1245 808399

Email: sales@keison.co.uk

Please note - Product designs and specifications are subject to change without notice. The user is responsible for determining the suitability of this product.