

VEGASON 62



Ultrasonic sensor for continuous level measurement

Application area

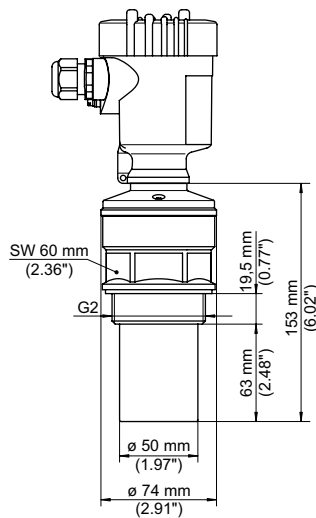
The VEGASON 62 is an ultrasonic sensor for continuous level measurement of liquids and bulk solids. Typical applications are the measurement of liquids in storage vessels or open basins. The sensor is also suitable for the detection of bulk solids in small vessels or silos. Application areas can be found in all industries. The non-contact measuring principle is unaffected by product features and allows a setup without medium.

Your benefit

- Maintenance-free operation through non-contact measuring principle
- Reliable measurement independent of product features
- Price-favourable solution for simple applications

Technical data

Measuring range:	in liquids: 0.4 ... 8 m in bulk solids: 0.4 ... 3.5 m
Process fitting:	thread G2, 2 NPT
Process temperature:	-40 ... +80 °C
Process pressure:	-0.2 ... +2 bar (-20 ... +200 kPa)
Accuracy:	+/- 10 mm
SIL qualification:	optionally up to SIL2



You will find further process fittings and options under www.vega.com/configurator.

You will find further drawings and tables under www.vega.com/downloads.

You will find mounting accessory, welded sockets and housing overviews in chapter "Accessory".



Thank you for reading this data sheet.

For pricing or for further information, please contact us at our UK Office, using the details below.



UK Office

Keison Products,

P.O. Box 2124, Chelmsford, Essex, CM1 3UP, England.

Tel: +44 (0)330 088 0560

Fax: +44 (0)1245 808399

Email: sales@keison.co.uk

Please note - Product designs and specifications are subject to change without notice. The user is responsible for determining the suitability of this product.