

VEGASON 63



Ultrasonic sensor for continuous level measurement

Application area

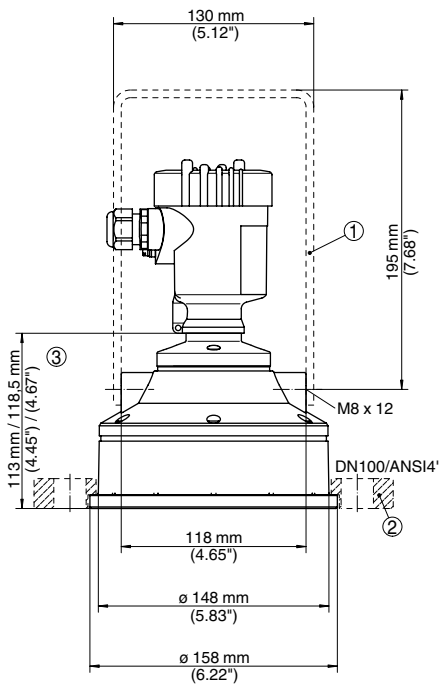
The VEGASON 63 is an ultrasonic sensor for continuous level measurement of liquids and bulk solids. Typical applications are the measurement of liquids in storage tanks and open basins. The sensor is suitable for continuous level measurement of bulk solids in small up to average-size vessels. The non-contact measuring principle is independent of product features and allows a setup without medium.

Your benefit

- Maintenance-free operation through non-contact measuring principle
- Reliable measurement, independent of product features
- Proven measurement technology for standard applications

Technical data

| | |
|----------------------|---|
| Measuring range: | in liquids: 0.6 ... 15 m in bulk solids: 0.6 ... 7 m |
| Process fitting: | compression flange DN 100 mounting strap |
| Process temperature: | -40 ... +80 °C |
| Process pressure: | -0.2 ... +1 bar (-20 ... +100 kPa) |
| Accuracy: | +/- 10 mm |
| SIL qualification: | optionally up to SIL2 |



- 1 Mounting strap
- 2 Compression flange
- 3 Dimension for Aluminium housing/adapter

You will find further process fittings and options under www.vega.com/configurator.

You will find further drawings and tables under www.vega.com/downloads.

You will find mounting accessory, welded sockets and housing overviews in chapter "Accessory".

Approval

XX without

XM Ship approval

Version / Process temperature

A Seal EPDM / -40...80°C

Process fitting / Material

X without compression flange

C Mounting strap / 1.4301

B Compression flange DN100PN16 / 316L

A Compression flange DN100PN16 / PPH

E Compression flange ANSI 4" 150psi / 316L

D Compression flange ANSI 4" 150psi / PPH

Electronics

H Two-wire 4...20mA/HART®

V Four-wire 4...20mA/HART®

P Profibus PA

F Foundation Fieldbus

Housing / Protection

K Plastic / IP66/IP67

A Aluminium / IP66/IP68 (0.2bar)

D Aluminium double chamber / IP66/IP68 (0.2bar)

8 StSt (electropolished) 316L / IP66/IP68 (0.2bar)

R Plastic 2-chamber / IP66/IP67

Cable entry / Plug connection

M M20x1.5 / without

N 1/2NPT / without

Display/adjustment module (PLICSCOM)

X Without

A Mounted

Additional equipment

X Without

| | | | | | | | | | |
|-------|--|--|--|--|--|--|--|--|--|
| SN63. | | | | | | | | | |
|-------|--|--|--|--|--|--|--|--|--|



Thank you for reading this data sheet.

For pricing or for further information, please contact us at our UK Office, using the details below.



UK Office

Keison Products,

P.O. Box 2124, Chelmsford, Essex, CM1 3UP, England.

Tel: +44 (0)330 088 0560

Fax: +44 (0)1245 808399

Email: sales@keison.co.uk

Please note - Product designs and specifications are subject to change without notice. The user is responsible for determining the suitability of this product.