

## VEGASOURCE 31

Source container for the reception of the source capsule

### Application area

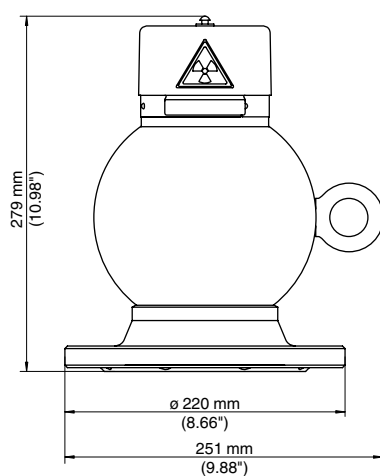
The VEGASOURCE 31 is used for the reception of a gamma radiator which is used as radiation source for the radiation-based limit level, level and density measurements. The design of VEGASOURCE 31 offers an optimum shielding and protects the integrated gamma radiator reliably.

### Your benefit

- Reliable shielding allows use without control sections
- Small space requirement and simple mounting
- Reliability through pneumatic switch-ON / switch-OFF

### Technical data

Version:	source container with locking facility
Mounting:	flange DN 100 PN 16
Exit angle:	5°, 20° or 40°
Materials:	steel C22.8, 304, 316L
Weight:	40 kg



Version:  
with cylinder lock for ON/OFF

**License**

- AA Not necessary .....
- Version / Increased moisture protection / Pneumatic**
  - A with cylinder lock for ON/OFF / no / no .....
  - B with lock for OFF and fixing pin / no / no .....
  - C with lock for ON/OFF / no / no .....
  - K with cylinder lock for OFF / no / yes .....
  - L with lock for OFF / no / yes, with ATEX II 2G .....
- Radiation source activity**
  - MIT yes, please order separately .....
  - VXX No Source Capsule .....
  - Source capsule type**
    - A1 Nipple d=6.4 x 17.6 mm, capsule VZ-79-001 (Cs-137) .....
    - B1 Thread M4 d=6.4 x 17.6 mm, capsule VZ-1508-001 (Cs-137) .....
    - C1 Nipple d=8 x 19 mm, capsule VZ-357-002 (Cs-137) .....
    - D1 Thread M4, d=8 x 19 mm, capsule VZ-3579-001 (Cs-137) .....
  - Material source container**
    - A Steel C22.8 .....
    - B 316L .....
  - Surface protection**
    - 2 PUR 2K-texture paint RAL 1003 (yellow) .....
  - Emmission angle**
    - 1 5 deg .....
    - 3 20 deg .....
    - 5 40 deg .....
  - Additional equipment**
    - X without .....
    - D Fixation ON (density measurement) .....
    - F Fire-resistant 821°C / 30 minutes .....

SE31.										
-------	--	--	--	--	--	--	--	--	--	--



Thank you for reading this data sheet.

For pricing or for further information, please contact us at our UK Office, using the details below.



**UK Office**

**Keison Products,**

**P.O. Box 2124, Chelmsford, Essex, CM1 3UP, England.**

**Tel: +44 (0)330 088 0560**

**Fax: +44 (0)1245 808399**

**Email: [sales@keison.co.uk](mailto:sales@keison.co.uk)**

Please note - Product designs and specifications are subject to change without notice. The user is responsible for determining the suitability of this product.