



VEGASWING 51



Vibrating level switch for liquids

Application area

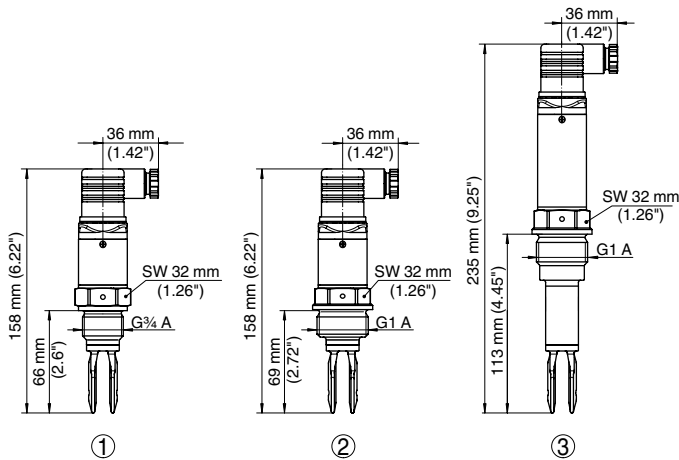
VEGASWING 51 is used as a universal level switch in liquids. It detects reliably with millimetre accuracy when a certain level is reached. It can be used in vessels and pipelines in any installation position. The instrument can be used as empty or full detector, as approved overflow protection, dry run protection or pump protection.

Advantages

- Setup without adjustment
- Product-independent switching point
- Very high reproducibility
- Wear and maintenance-free
- Smallest mounting dimensions

Function

Via the piezo drive, the tuning fork is energized to vibrate at its resonance frequency. When covered with medium, the frequency of the fork decreases. This frequency change is processed by the integrated electronics and converted into a switching command. To ensure a secure and reliable fastening of the piezo drive, an optimised screw connection is used.



- 1 Threaded version G $\frac{3}{4}$ A up to 100 °C
- 2 Threaded version G1 A up to 100 °C
- 3 Threaded version G1 A up to 150 °C and switching point as SWING 71A

Approval

- XX** without
- XM** Ship approval
- XA** Overfill protection acc. to WHG

Version / Process temperature

- S** Standard / -40...100°C
- T** Extended / -40...150°C
- H** Hygienic applications / -40...150°C

Process fitting / Material

- GB** Thread G $\frac{3}{4}$ (DIN 3852-A) PN64 / 316L
- NB** Thread $\frac{3}{4}$ NPT (ASME B1.20.1) PN64 / 316L
- GA** Thread G1 (DIN 3852-A) PN64 / 316L
- NA** Thread 1NPT (ASME B1.20.1) PN64 / 316L
- CL** Tri-Clamp 1" PN16 / 316L Ra<0.8µm
- CN** Tri-Clamp 2" PN16 / 316L Ra<0.8µm
- RL** Bolting DN25PN40 DIN11851 / 316L Ra<0.8µm
- RM** Bolting DN40PN40 DIN11851 / 316L Ra<0.8µm
- RN** Bolting DN50PN25 DIN11851 / 316L Ra<0.8µm

Electronics

- C** Contactless electronic switch 20...253 V AC/DC
- T** Transistor output PNP 10...55 V DC

Housing

- P** 316L

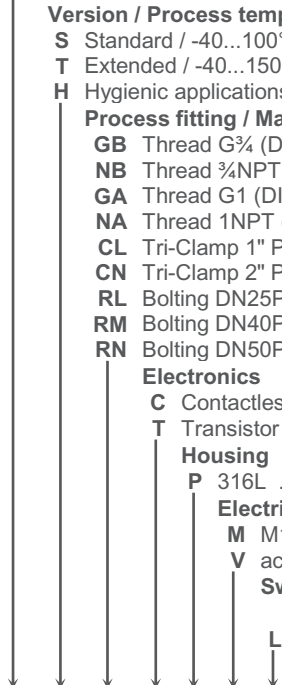
Electrical connection / Protection

- M** M12x1 / IP67
- V** according to ISO4400 incl. plug / IP65

Switching point

- Standard
- L** Switching point as SWING71A

SG51.									
-------	--	--	--	--	--	--	--	--	--





Thank you for reading this data sheet.

For pricing or for further information, please contact us at our UK Office, using the details below.



UK Office

Keison Products,

P.O. Box 2124, Chelmsford, Essex, CM1 3UP, England.

Tel: +44 (0)330 088 0560

Fax: +44 (0)1245 808399

Email: sales@keison.co.uk

Please note - Product designs and specifications are subject to change without notice. The user is responsible for determining the suitability of this product.