



## VEGAWAVE 63



Vibrating level switch with tube extension for powders

### Application area

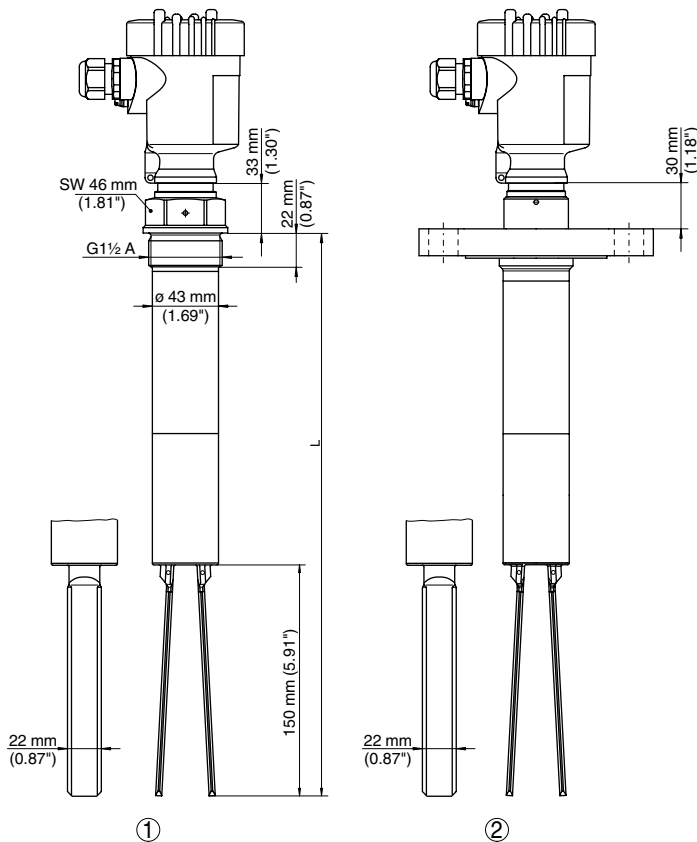
VEGAWAVE 63 is used as a level switch in powders and fine-grained bulk solids and detects reliably and accurately when the min. or max. level is reached. The rugged design withstands the toughest conditions.

### Advantages

- Simple setup without adjustment
- Product-independent switching point
- Insensitive to buildup
- Wear and maintenance-free
- Robust and reliable
- SIL qualified

### Function

The tuning fork of VEGAWAVE is energized via the piezo drive to vibrate at its resonance frequency. When covered with medium, the amplitude of the tuning fork is damped. This change is detected by the electronics and converted into a switching signal.



- 1 Threaded version G1½ A
- 2 Flange version

**Approval**

- XX** without .....
- CX** ATEX II 1G, 1/2G, 2G Ex ia IIC T6 .....
- CK** ATEX II 1G, 1/2G, 2G Ex ia IIC T6+ATEX II 1/2D IP6X T .....
- CI** IECEx Ex ia IIC T6 .....
- LX** ATEX II 1/2G, 2G Ex d IIC T6 .....
- GX** ATEX II 1,1/2,2D Ex td IP66 T\* .....

**Version / Process temperature**

- A** Standard / -50...150°C .....
- B** With adapter / -50...250°C .....
- C** Detection of bulk solids in water / -50...150°C .....

**Process fitting / Material**

- GD** Thread G1½ (DIN 3852-A) PN25 / 316L .....
- ND** Thread 1½NPT (ASME B1.20.1) PN25 / 316L .....
- EF** Flange DN50PN40 Form C,DIN2501/316L .....
- KF** Flange DN80PN40 Form C,DIN2501/316L .....
- MF** Flange DN100PN16 Form C,DIN2501/316L .....
- HA** Flange 2"150lb RF, ANSI B16.5, 316L .....
- OA** Flange 3"150lb RF,ANSI B16.5/316L .....

**Electronics**

- C** Contactless electronic switch 20...253VAC/DC .....
- R** Relay (DPDT) 20...72VDC/20...253VAC(3A) .....
- T** Transistor (NPN/PNP) 10...55VDC .....
- Z** Two-wire 8/16 mA 10...36VDC .....
- N** NAMUR signal .....

**Housing / Protection**

- K** Plastic / IP66/IP67 .....
- A** Aluminium / IP66/IP68 (0.2 bar) .....
- 8** StSt (electropolished) 316L / IP66/IP68 (0.2bar) .....

**Cable entry / Cable gland / Plug connection**

- M** M20x1.5 / with / without .....
- N** ½NPT / without / without .....

**Additional equipment**

- X** Without .....

WE63.									
-------	--	--	--	--	--	--	--	--	--

Length (from seal surface)

316L (240-6000 mm) per 100 mm



Thank you for reading this data sheet.

For pricing or for further information, please contact us at our UK Office, using the details below.



**UK Office**

**Keison Products,**

**P.O. Box 2124, Chelmsford, Essex, CM1 3UP, England.**

**Tel: +44 (0)330 088 0560**

**Fax: +44 (0)1245 808399**

**Email: [sales@keison.co.uk](mailto:sales@keison.co.uk)**

Please note - Product designs and specifications are subject to change without notice. The user is responsible for determining the suitability of this product.