

WEIGHTRAC 31

Radiation-based sensor for mass flow determination

Application area

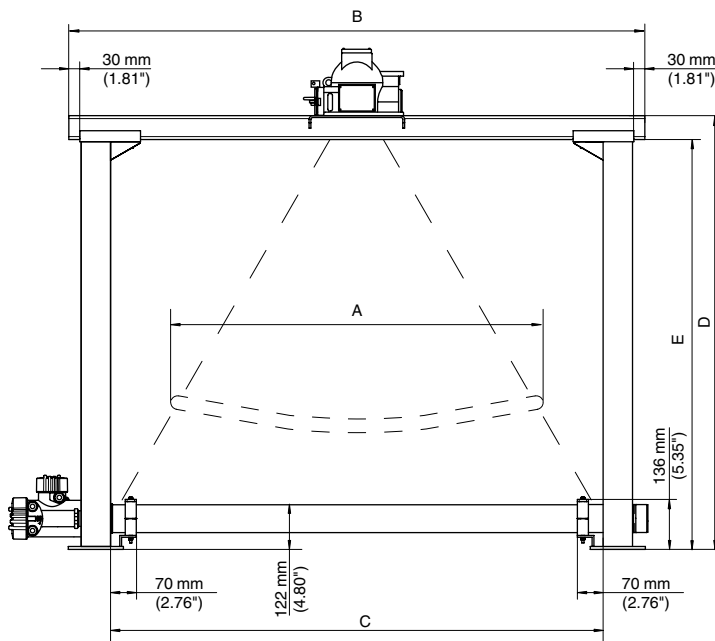
The WEIGHTRAC 31 is a radiation-based sensor for precise flow measurement of bulk solids. It is ideal for mass flow determination on conveyor belts and in conveyor spirals in all industries. Due to its frame construction, the WEIGHTRAC 31 can be simply retrofitted to the conveyor belt.

Your benefit

- Wear-free, because non-contact measurement
- Exact determination of the delivery volume through simple setup

Technical data

Version:	sensor with PVT rod detector
Measurement width:	up to 1600 mm
Mounting:	through the supplied measurement frame
Accuracy:	+/- 1 % of the measuring range final value



Note:
Source container not in the scope of delivery

You will find further process fittings and options under www.vega.com/configurator.
You will find further drawings and tables under www.vega.com/downloads.
You will find mounting accessory, welded sockets and housing overviews in chapter "Accessory".

Approval

- XX** Without
- DK** ATEX II2(1)G Ex d[ia] IIC T6+II 1D Ex ta[ia] IIIC T.
- TX** ATEX IM 2 (M1) Ex d [ia Ma] I Mb
- DK** IEC Ex d[ia]IIC T6+Ex ta, tb [ia] IIC T.
- TX** IEC Ex d [ia Ma] I Mb

Version / Ambient temperature

- 1** Standard / -40°...+60°C

Electronics

- V** Four-wire 4...20mA/HART®
- A** Four-wire 4...20 mA/HART® (Ex d output)
- F** Four-wire Foundation Fieldbus
- C** Four-wire Foundation Fieldbus (Ex d output)
- P** Four-wire Profibus PA
- E** Four-wire Profibus PA (Ex d output)

Housing / Protection

- D** Aluminium / IP66/IP67
- W** Stainless steel 316L / IP66/IP67

Cable entry / Cable gland / Plug connection

- M** M20x1.5 / with / without
- N** ½ NPT / without / without

Display/Adjustment module (PLICSCOM)

- X** Without
- B** Mounted

Additional equipment

- X** Without

Frame construction

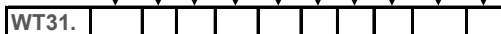
- X** Without
- A** of galvanized steel
- C** Stainless steel 316L

Measurement width (A) / clear frame height (E)

- N1** 500 mm / 435 mm
- NX** 500 mm
- P1** 800 mm / 705 mm
- PX** 800 mm
- Q1** 1000 mm / 935 mm
- QX** 1000 mm
- R1** 1200 mm / 1115 mm
- RX** 1200 mm
- S1** 1600 mm / 1485 mm
- SX** 1600 mm

Source holder configuration

- B** one mounting plate





Thank you for reading this data sheet.

For pricing or for further information, please contact us at our UK Office, using the details below.



UK Office

Keison Products,

P.O. Box 2124, Chelmsford, Essex, CM1 3UP, England.

Tel: +44 (0)330 088 0560

Fax: +44 (0)1245 808399

Email: sales@keison.co.uk

Please note - Product designs and specifications are subject to change without notice. The user is responsible for determining the suitability of this product.