

# WELCH-ILMVAC

## OWNER'S MANUAL FOR DRY VACUUM PUMP

MODELS: 2567B-01, 2567B-50, 2567C-02, 2567C-70, 0310-9096,  
& 0310-9097



### Warning

Not recommended for pumping acid, base or organic vapors or gases.



### Warning

Be sure to properly identify intake and discharge before using pump.  
See section 2.5

Welch-Ilmvac  
5621 W. Howard Street  
Niles, IL 60714  
Phone: (847) 676-8800 (Technical Support)  
Fax: (847) 677-8606  
E-Mail: [gdwelchvacuum@gardnerdenver.com](mailto:gdwelchvacuum@gardnerdenver.com)  
Web-Page: [www.welchvacuum.com](http://www.welchvacuum.com)

Part No. 642828A  
Printed in USA

INSTRUCTION  
WARNING AND CAUTION  
PLEASE READ BEFORE OPERATION

While reading your manual, please pay close attention to areas labeled:  
WARNING AND CAUTION.  
The description of each is found below.

WARNING  
Warnings are given where failure to observe instruction could result in injury or death to people.

CAUTION  
Cautions are found where failure to observe the instruction could result in damage to the equipment, associated equipment and process.

These units conform to the SI International system of units of measurement.

The following symbols (with recommendation of IEC1010 ) of warning will be found on the pump.



Caution - Refer to accompanying documents



Caution - Risk of electrical shock



Caution - Hot surface

WARNING  
Motor includes a self resetting thermal cutout and the pump could restart without actuation under fault condition.

# TABLE OF CONTENTS

## Section 01 - Installation

- 1.01 Unpacking
- 1.02 Pump Mounting
- 1.03 Pump Location / Environmental Conditions
- 1.04 Exhaust Provisions
- 1.05 Electric Power
- 1.06 Vacuum Connections
- 1.07 Vacuum Gauges
- 1.08 Vacuum Pump Oil

## Section 02 - Pump Features & Principles of Operation

- 2.01 General Description
- 2.02 Principles of Vacuum Pump Operation
- 2.03 Effects of Continued Pressure Reduction
- 2.04 Ultimate Pressure
- 2.05 Pump Mechanism Description
- 2.06 Intake Anti-Suckback Protection
- 2.07 Pump Lubrication
- 2.08 Exhaust Filter
- 2.09 Gas Ballast Valve
- 2.10 UNIBARBTM Intake Fitting

## Section 03 - Specifications

- 3.01 Specification Chart

## Section 04 - Motor Power Specifications / Features

- 4.01 Motor Specification Chart
- 4.02 Changing the Voltage Settings for Global Motor Option on "A"-Models
- 4.03 Changing the Voltage Settings for Global Motor Option on "C"-Models
- 4.04 Changing the Voltage Settings on "A"-Models
- 4.05 Other Electrical Configurations
- 4.06 Explosion Proof Pumps

## Section 05 - Operation

- 5.01 Starting Procedure
- 5.02 High Pressure Operation
- 5.03 Shutdown Procedures

## Section 06 - Specifications

- 6.10 Pump Specification Chart
- 6.11 Pumping Speed Curves
- 6.12 Dimensional Drawing
- 6.17 Parts List and Exploded View

## Section 07 - Specifications

- 7.20 Vacuum System for Vacuum Chamber, Glove Box, Annular Space & Transfer Line
- 7.21 System Components
- 7.22 Vacuum System for Cell Harvesting

Warranty

## Section 1: SAFETY INFORMATION

- I.10 CAUTION: To prevent injury...
- I.11 Never operate this product if it has a damaged cord or plug. If it is not working properly, has been dropped, damaged or has fallen into water, please return the product to a Welch service center for examination and repair.
- I.12 Keep the cord away from the heated surfaces.
- I.13 Never block any air openings or place it on a soft surface where the openings may be blocked. The air openings are for ventilation of the motor inside the housing. Keep all air openings free of lint, dirt and other foreign objects.
- I.14 The PTFE pump is thermally protected and can automatically restart when the protector resets. Always disconnect power source before servicing.
- I.15 Wear safety glasses or goggles when operating this product.
- I.16 Use only in well ventilated areas. The motor is fan cooled enclosed in a shell.



### WARNING

Do not operate the pumps in an atmosphere containing flammable or explosive gases/vapors.



### WARNING

Never block the exhaust port. If the exhaust is blocked, pressure will build-up in the pump with the potential of the pump head bursting and causing possible injury to personnel in the area.

- I.17 All electrical products generate heat. To avoid serious burns never touch unit during or immediately after operation.
- I.18 Be sure to properly identify intake and discharge before using pump. See Section II-5.
- I.20 CAUTION: To reduce risk of electrical shock...
- I.21 Do not disassemble. Disassembly or attempted repairs if accomplished incorrectly can create electrical shock hazard. Refer servicing to qualified service agencies only: Call (847) 676-8800
- I.22 Unit is supplied with a three pronged plug. Be sure to connect pump to a properly grounded outlet only.
- I.23 WARNING: To reduce risk of electrocution...
- I.24 Do not use this product in or near area where it can fall or be pulled into water or other liquids.
- I.25 Do not reach for this product if it has fallen into liquid. Unplug immediately.
- I.26 Never operate this product outdoors in the rain or in a wet area.
- I.27 DANGER: To reduce risk of explosion or fire...
- I.28 Do not use this pump near explosive atmospheres or where aerosol (spray) products are being used.
- I.29 Do not use this product near flames.



### WARNING

Failure to observe the above safety precautions could result in severe bodily injury, including death in extreme cases.

## Section 2: INSTALLATION

### 2.10 Introduction

This manual has been compiled not only for the care and maintenance of the Welch Dry Vacuum System now in your possession, but as a helpful reference and guide to prevent many problems which can occur if used improperly.

### 2.11 Unpacking

Carefully remove the Dry Vacuum System from the shipping carton. Preserve all paperwork for future reference. If damage has occurred from shipment a claim must be filed with the carrier immediately; preserve the shipping carton for inspection by the carrier. If you are required to communicate with your dealer or Welch Vacuum be sure to include your order numbers for quick identification. Do not return the system to the factory without first calling for a returned goods number. Call (847) 676-8800.

### 2.12 System Mounting

Rubber feet are attached to the pump. Rubber feet are excellent for applications involving a semi-flexible surface such as a bench top; they help to isolate noise and eliminate creeping.

### 2.13 System Location and Environmental Condition

The Dry Vacuum System should be located in a clean, dry and well ventilated area. Do not to block the ventilation ports located on the metal shell. The pump should be placed where the surrounding temperature remains between 10°C and 40°C (50°F and 104°F). Always check to insure the location chosen is protected from direct or indirect moisture contact. The pump should be located as closely to its system as possible in order to utilize it most efficiently. The pump is rated for indoor use only. Maximum altitude 2000 meters. Operating temperature range 5°C to 40°C. Maximum relative humidity of 80% for temp up to 31°C decreasing to 50% at 40°C. Rated for ±10% of supply voltage. Pollution Degree2, Installation Category II.



#### WARNING

Don't operate this pump in an atmosphere containing flammable or explosive gases or vapors.



#### WARNING

The motor is thermally protected and will automatically restart unexpectedly when the overload device resets.

### 2.14 Inlet and Outlet Provisions

A inlet hose barb which accepts 3/8" I.D. hose makes it easy to connect the system to your concentrator, rotary evaporator or gel dryer. Since the vacuum system operates in the viscous flow regime, the small diameter of the hose will generate minimal conductance loss. For best results, Welch recommends the length of the tubing between the pump and the apparatus be kept as short as possible. Hose clamps should be used to hold the hose in place. The hose barb in the outlet port of the pump accepts 3/8" ID hose. A vent line can be attached to the outlet hose barb which allows gases and vapors pumped through the pump to be piped to a fume hood. Be sure to call Welch technical service prior to start-up at (847) 676-8800 if you have any questions.



#### WARNING

Never Block The Outer Port. If the outlet is blocked, pressure will buildup in the pump which can lead to the pump head bursting creating the potential of serious injury. Remove plug from outer port.

2.20 Electrical Power

2.21 Power Source Review

Review the power source and the voltage rating on the units serial number tag to be sure they agree in voltage, phase and frequency. Serious damage may occur to the system if it is connected to an improper voltage. All Welch systems must be grounded. Grounding reduces the risk of electric shock in the event of an electrical short circuit. The plug must be plugged into an outlet properly grounded. Consult your local electrical codes if you have doubts.

2.22 Overload Protection

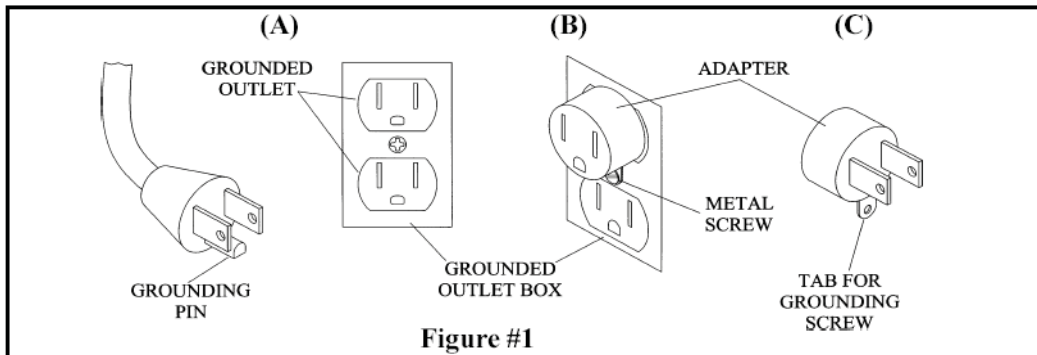
The motor manufacturer makes motor thermal overload protection available as an aid to minimize motor failure. Overload protection is a standard feature on both 50/60Hz single-phase motors. The motors have automatic overload protection. Automatic reset protection is designed to reset itself after a predetermined cooling period. If the fault to the drive remains unaltered, the motor will cycle on and off until fault is corrected.

2.23 Identification Symbols:

○ Power Off | Power On

2.24 Grounding Instructions

This product should be grounded. In the event of an electrical short circuit, grounding reduces the risk of electric shock by providing an escape wire for the electric current. This product is equipped with a cord having a grounding wire with a grounding plug. The plug must be plugged into an outlet that is properly installed and grounded in accordance with all local codes and ordinances. This adapter shown in Figure B and Figure C is not acceptable in Canada.



**DANGER**  
Improper installation of the grounding plug can result in a risk of electrical shock.

If repair or replacement of the cord or plug is necessary, do not connect the grounding wire to either flat blade terminal. The wire with insulation having an outer surface that is green with or without yellow stripes is the grounding wire. Check with a qualified electrician or serviceman if the grounding instructions are not completely understood, or if in doubt as to whether the product is properly grounded. Do not modify the plug provided; if it will not fit the outlet, have the proper outlet installed by a qualified electrician.

This product is for use on a nominal 120V circuit, and has a grounding plug that looks like the plug illustrated in Sketch A in Figure #1. A temporary adapter, which looks like the adapter illustrated in sketches Band C, may be used to connect this plug to a 2-pole receptacle as shown in sketch B if a properly grounded outlet is not available.

The temporary adapter should be used only until a properly grounded outlet (Sketch A) can be installed by a qualified electrician. The green colored rigid ear, lug, etc. extending from the adapter must be connected to a permanent ground such as a properly grounded outlet box cover. Whenever the adapter is used, it must be held in place by a metal screw.

#### 2.25 Extension Cords

If necessary to use an extension cord, use a 3-wire extension cord that has a 3-blade grounding plug, and a 3-slot receptacle that will accept the plug on the product. Make certain your extension cord is in good condition. Make certain your extension cord wire size is not less than 18 gauge for 25 feet, 16 gauge for 50 feet, and 14 gauge for 100 feet. An undersized cord will cause a drop in line voltage resulting in loss of power and overheating. If in doubt, use the next heavier cord. The smaller the gauge number, the heavier the cord.

#### 2.26 Dial Vacuum Gauge

A dial vacuum gauge is incorporated in the vacuum system. The dial gauge is located in the top front section of the system. The dial vacuum gauge is commonly used to indicate vacuum level when operating in the rough vacuum range (0 to 29.9 InHg) Dial vacuum gauges give negative pressure - that is pressure below atmospheric. The reference point for the gauges is atmospheric pressure. Please keep in mind that atmospheric pressure tends to vary from day to day. As a result of this variability, a dial vacuum gauge will indicate slightly different maximum vacuum readings from day to day.

#### 2.27 Vacuum Level Regulation

Vacuum level regulation is accomplished with an adjustable bleed valve. The adjustable bleed valve allows close control of pressure in your apparatus. Pressure may be set between roughly atmospheric pressure and the maximum vacuum obtainable (9 torr, 29.6 InHg).

#### 2.28 Vacuum Connections

All Dry Vacuum Pumps come with intake and discharge hose barbs which accept 3/8" ID rubber pressure/vacuum hose. Hose clamps should be used to hold the hose in place. Since all six models operate in the viscous flow range, the small diameter of the hose will generate minimal conductance loss. For best results, Welch recommends the length of the tubing between the pump and the chamber be kept as small as possible.

#### 2.29 Vacuum Gauges

Typical in the rough vacuum range, a dial vacuum gauge is used to measure pressure in mm, Hg or inches of Hg. The dial vacuum gauge gives negative pressure – that is pressure below atmospheric. The reference point for the vacuum gauge is atmospheric pressure. Please keep in mind that atmospheric pressure tends to vary from day to day. As a result of variability, the dial vacuum gauge will indicate slightly different maximum vacuum readings from day to day.



## 2.30 Traps

### 2.31 The need for a Trap

The pumps will handle humid air. All wetted aluminum parts are treated for corrosion protection from moisture. All other wetted parts are stainless steel. If there is a chance liquid may be drawn from the process under evacuation, Welch recommends a liquid trap be placed between the process and the pump. A simple liquid trap is a filtering flask.

When a heavy load of water vapor is evolved from the vacuum process, a cold trap is recommended to help prevent damage to the pump mechanism. The cold trap, immersed in a suitable Dewar flask, is installed so that the water vapor may come in contact with the surfaces of the trap and condense. Commonly used refrigerants are liquid nitrogen or dry ice and acetone or alcohol. Dry ice provides sufficient cooling to freeze out most heavy water vapor loads. A variety of cold traps are available from Welch.

The symptom of a high water vapor load is if you have droplets coming out of the exhaust port. If you see droplets of water, Welch recommends you use a cold trap to capture the water before entering the pump or dilute the water vapor stream by adding dry nitrogen to the gas flow. Please call our customer service department for additional information at (847) 676-8800.

### 2.32 The care of a Trap

When using a cold trap the refrigerant should be maintained at a high level in the flask to keep the trap at a uniformly low temperature. If the trap is re-warmed it may allow re-evaporation of the condensate. The refrigerant add tube on the liquid nitrogen trap should not be obstructed as the refrigerant boil-off can produce dangerously high pressures. If the trap becomes saturated it should be disconnected from the system, drained and cleaned. An increase in pressure in the vacuum system will normally indicate that the trap has become saturated. To clean the trap, remove the trap from the system and allow the trap to warm up and rinse off the condensate with a suitable solvent in a fume hood. Thoroughly clean and dry the trap before reinstalling into the system.



## Section 3: OPERATION

### 3.10 Starting Procedures

#### 3.11 Starting a Welch Dry Vacuum Pump

Before attaching the pump to a system it is well to familiarize yourself with the function and action of the pressure vacuum pump that you have acquired. Review the power requirements as described in Section 2.6. Welch recommends running the pump for a few minutes to warm up before use. The warm-up improves the pump's ability to handle humid air.

#### 3.12 Cleanliness

Take every precaution to prevent foreign particulates from entering the pump. Particulates will damage the pump's performance. If you find that particulates will come off the process during evacuation, a particle trap in the foreline will work. A simple, inexpensive trap may be made by placing glass wool in a glass or plastic tube. Screens must be inserted to hold the glass wool in place.



#### WARNING

The Pump is not recommended for pumping acid, base or organic vapors or gases. Serious damage to the pump will shorten the pump's service life. In addition, pumping flammable vapors or gases can lead to serious safety hazard leading to fire or explosion.

#### 3.13 Leak Detection

The importance of eliminating all leaks in a vacuum system is obvious. The pump must remove this added volume of leaked gas to maintain the desired vacuum. Leaks for these pumps can be located by slightly pressuring the system and painting the suspected area with a thick soap solution. Escaping air will produce soap bubbles.

#### 3.14 Operating Pressure Range

Model 2581 Dry Vacuum Pumps are designed to be run from atmospheric to their maximum vacuum level on the intake side. Consult the Specification Table in the back of this manual for the ratings for your specific model.

#### 3.15 Shutdown Procedures

After use, Welch recommends the pump be run for about 2 minutes disconnected from the vacuum process. The air pumped through the mechanism will purge out water vapor or droplets of water condensate that may have formed on the inside of the pump. This purge of the pump mechanism helps prevent corrosion.

## Section 4: MAINTENANCE

Welch dry pressure \ vacuum units are 100% oil-free. The pump employs a non-lube piston and cylinder. No maintenance is necessary for the bearings. All bearings are sealed and permanently lubricated. Lubrication should not be attempted. The units are built for continuous duty operation with the quietness and durability of a diaphragm, but with piston performance.

## Section 5: TROUBLESHOOTING

### 5.10 Vacuum Problems

Leakage, contamination and unusual outgassing are the general causes of problems with poor vacuum. To operate at maximum efficiency a system must be thoroughly clean. If the system is completely clean and free from leaks, and unwarranted vacuum problems still exist, the pump should be checked. A simple criterion for the condition of the pump is the determination of its maximum vacuum capability. This can be accomplished by blocking of the intake and reading the vacuum level on the gauge (See Section 2.8).

### 5.11 Troubleshooting Guide

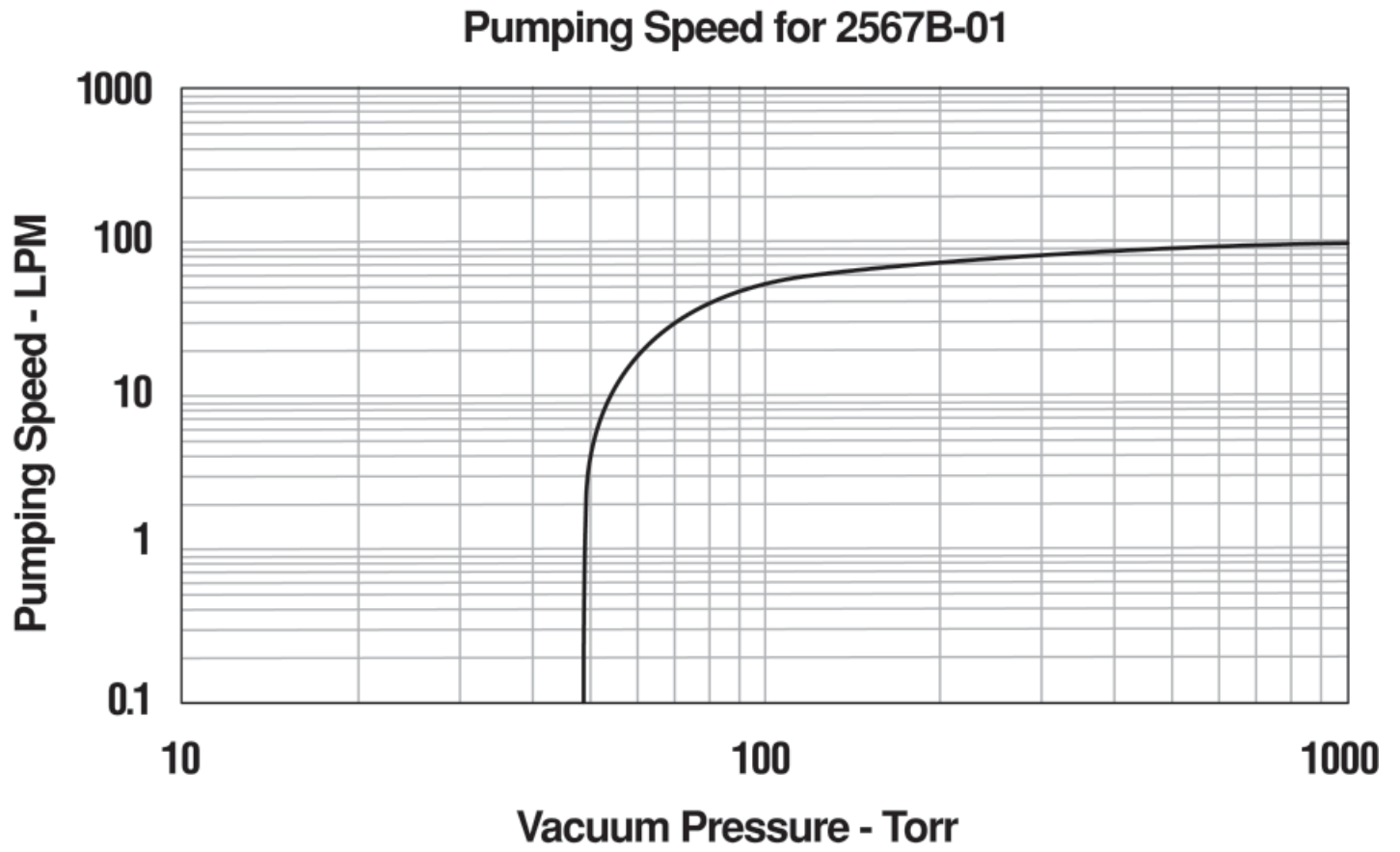
Poor Pumping Speed	Poor Vacuum	Loud Unit	Possible Cause	Corrective Action
X	X	X	Damaged valves	Replace flapper valves
X	X	X	Debris in valves	Remove debris and check for valve damage
X	X	X	Damaged gasket	Replace gasket
X	X	X	Loose head screw	Tighten head screw
X	X	X	Loose fitting	Tighten fitting

Section 6: SPECIFICATION

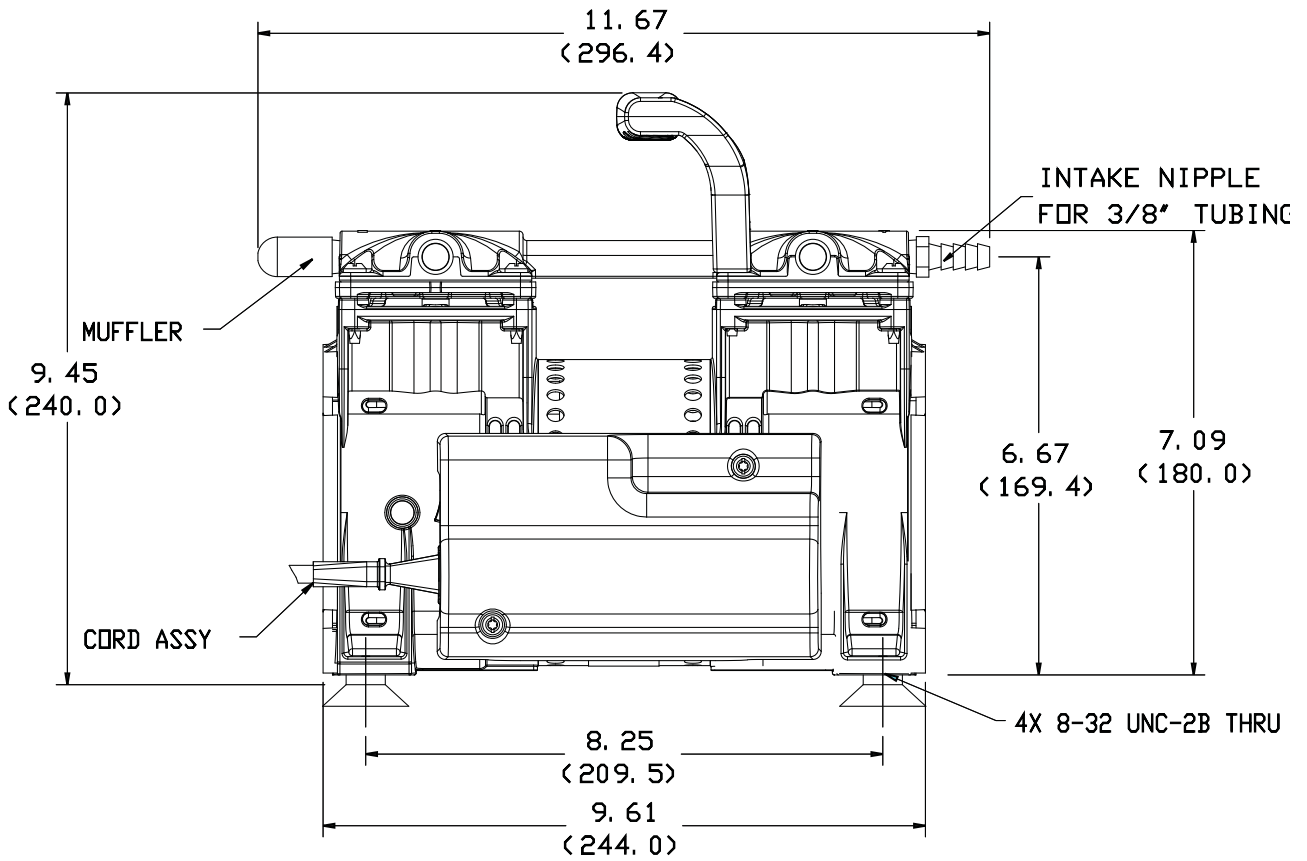
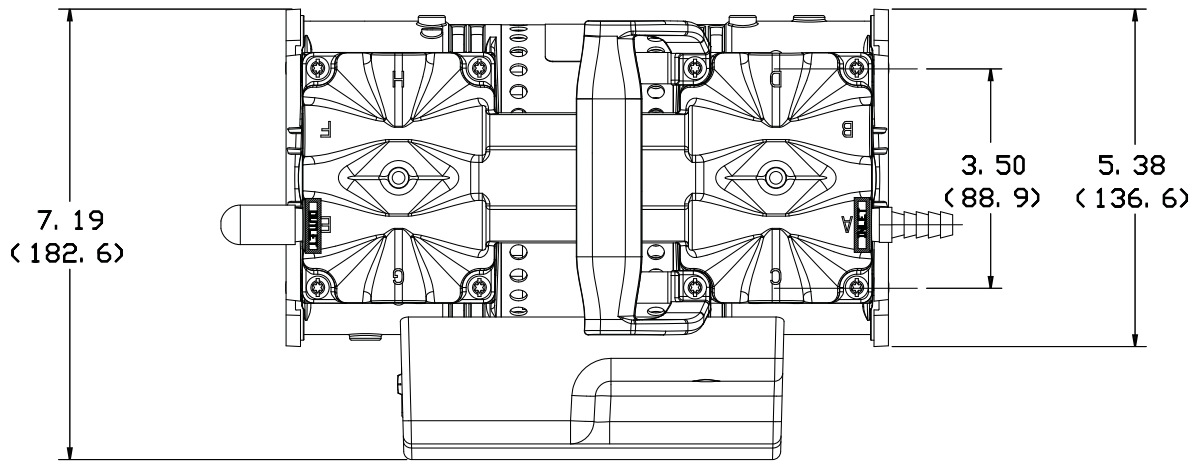
6.10 Pump Specification Chart

Welch Model	2567
Free Air Displacement	
CFM (L/min.) @60Hz	4.5 (128)
M3 (L/min.) @50Hz	6.4 (107)
Ultimate Pressure	
Torr	60
(mbar)	(80)
Maximum Vacuum InHg.	27.6
Motor Horsepower	
Horsepower	1/3
(watts)	(250)
Tubing needed	
I.D. in Inches (Millimeters)	3/8 (10)
Intake & Exhaust Thread NPT	3/8
Weight lbs (Kg.)	16.5 (7.5)
Overall Dimensions	
L in Inches (cm)	17.0 (43.2)
W in Inches (cm)	7.5 (19.1)
H in Inches (cm)	12.0 (30.5)
Shipping Weight	
lbs (Kg.)	24 (10.9)
Shipping Dimensions	
L in Inches	21.5
W in Inches	12.5
H in Inches	16
Catalog Number	
Catalog Number Wired for 115V, 60Hz, 1Ph with N. American Plug	2567B-01
Catalog Number with Trap and Gauge Wired for 115V, 60Hz, 1Ph with North American Plug	2567B-50
Catalog Number with Gauge Wired for 115V, 60Hz, 1Ph with North American Plug	2567B-70
Catalog Number with IEC/Euro Cord Wired for 230V, 50/60Hz, 1Ph with UK Plug	2567C-02
Catalog Number with IEC/Euro Cord, Trap and Gauge, Wired for 230V, 50/60Hz, 1Ph with UK Plug	2567C-50
Catalog Number with IEC/Euro Cord, with Gauge, Wired for 230V, 50/60Hz, 1Ph with UK Plug	2567C-70

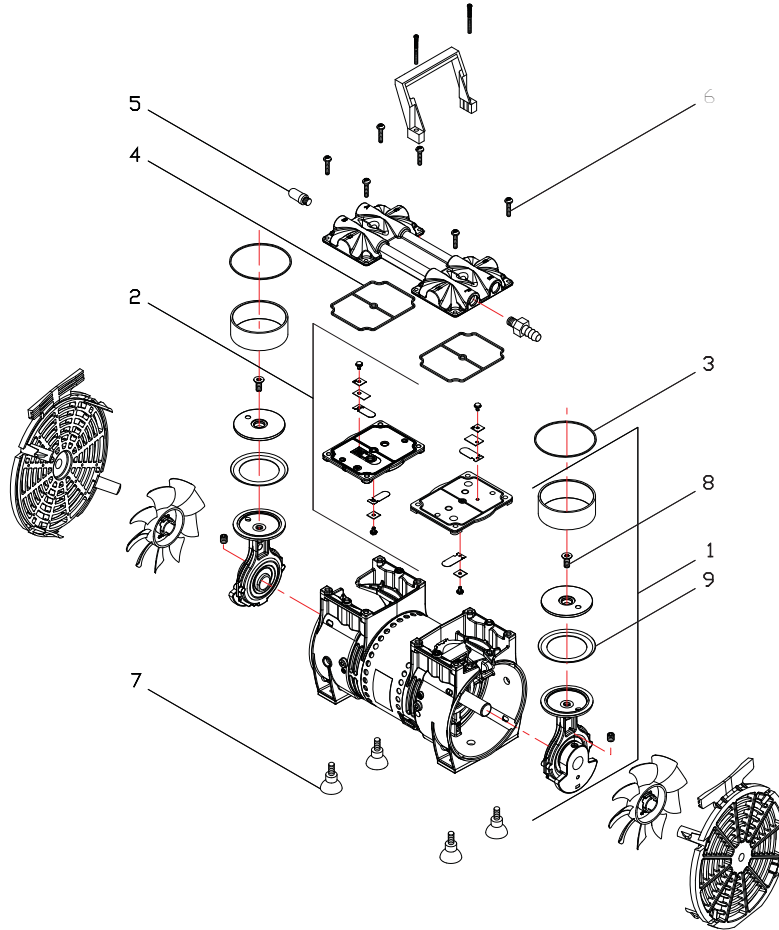
6.11 Pumping Speed Curves



6.12 Dimensional Drawing



6.17 Parts List and Exploded View for Pump Model 2567B-50, 2567C-50, 2567B-01, 2567C-02, 0310-9096, & 0310-9097



Note 1: Parts available in kits shown in the following last three columns.

Item Number	Qty.	Part No.	Description	Service Kit	Seal Kit	Suction Foot Kit
				2567K-03	2567K-04	2500K-04
1	2	666544	Connecting Rod Assembly	2	-	-
2	2	621755-502	Valve Plate Ass'y	2	-	-
3	2	623071	O-Ring Cylinder	2	2	-
4	2	623143	O-Ring Valve Plate	2	2	-
5	2	641255	Exhaust Muffler	2	-	-
6	6	625175	Head Screw	6	-	-
7	2	624496	Rubber Suction Feet	2	-	-
8	2	625180	Cup Retainer Screw	2	-	-
9	1	624490	Piston Cup	-	2	-
10	2	625855	Handle Screw	2	2	-

## Section 7: APPLICATION INFORMATION

- 7.20 Vacuum System for Vacuum Chamber, Glove Box, Annular Space & Transfer Line:  
 - 2567B-01 - 2567C-02  
 - 2567B-50 - 2567C-50  
 - 0310-9096 - 0310-9097

7.21 System Components\*

Qty.	2567	Description for regulator / separator jar
1		Jar Assembly
1		Needle Valve Miniature
1		Instrument Knob
1		Hose Barb, 3/8" NPT
1		Hose Barb Fitting
1		Hose Barb, Male Straight Kynar
1		Vacuum Gauge InHg.
1		Jar Gasket
1		Plastic Jar
1		Hex Nipple

\* System components available as kit Cat. No. 2565-50, vacuum regulator with separator jar.

7.22 Vacuum System for Cell Harvesting:

Welch's new portable oil-free general utility roughing pumps provide continuous, reliable vacuum that your vacuum chamber, glove box, annular space and transfer line applications require. The pumping mechanism is an economical twin head oil-free Wob-L® known for reliability and durability. These rugged pumps handle 20,000 plus roughing cycles – from atmospheric to 5 Torr – before needing seal maintenance.

The pumps come completely equipped and ready to use. An inlet trap to help prevent ingestion of fluids into the pump, a dial gauge for continuous vacuum level monitoring, and a vacuum regulator to adjust vacuum levels. Just plug it in and you're up and running.





Thank you for reading this data sheet.

For pricing or for further information, please contact us at our UK Office, using the details below.



**UK Office**

**Keison Products,**

**P.O. Box 2124, Chelmsford, Essex, CM1 3UP, England.**

**Tel: +44 (0)330 088 0560**

**Fax: +44 (0)1245 808399**

**Email: [sales@keison.co.uk](mailto:sales@keison.co.uk)**

Please note - Product designs and specifications are subject to change without notice. The user is responsible for determining the suitability of this product.