



GENERAL MONITORS
Protection for life.

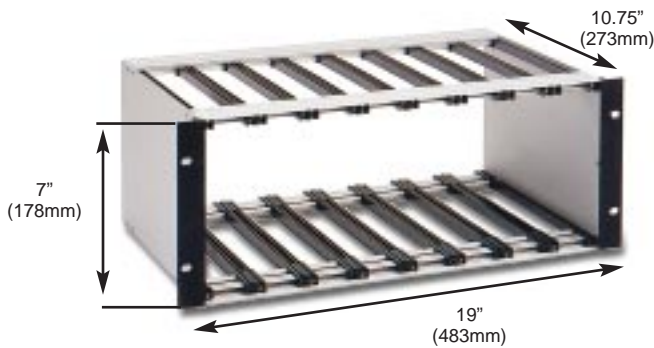
MOUNTING HARDWARE

Description

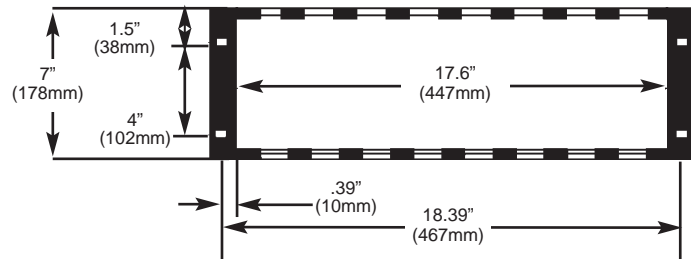
General Monitors has a complete line of mounting hardware to facilitate installing any of our gas and/or flame monitors. This data sheet provides the necessary ordering information for any hardware item. When ordering, please state the part number (P/N) and be sure you have selected the item designed for your gas and/or flame monitor(s).

19-inch Rack Frame (19" x 7")

For all 2" (49mm) and 4" (98mm) wide controller models, this rack frame can accommodate up to four 4" (98mm) wide models and eight 2" (49mm) wide models, in seven inches of vertical/rack space. Blank panels are available to fill out unused space. A single frame, P/N 10200-1, can combine any combination of models.



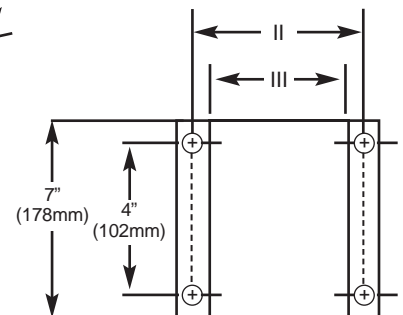
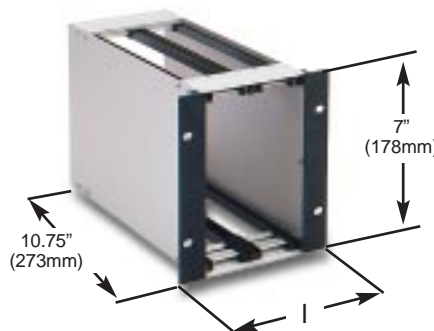
Panel Cutout Dimensions:



Panel Mount

The panel mount bracket for the 2" (49mm) wide model is P/N 10201-1, and for the 4" (98mm) wide model is 10199-1. The bracket is anodized aluminum.

| Model | I | II | III |
|-----------------------|---------------|---------------|--------------|
| 2" (49mm) wide models | 4.25" (108mm) | 3.66" (93mm) | 2.87" (73mm) |
| 4" (98mm) wide models | 6.34" (161mm) | 5.79" (147mm) | 5.0" (127mm) |





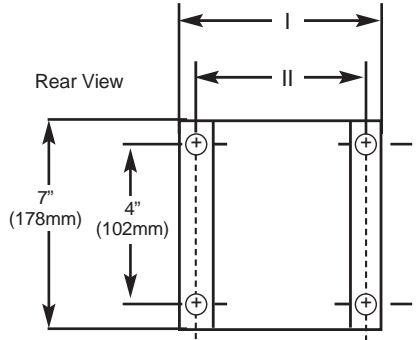
MOUNTING HARDWARE

Wall Mount



The wall mount bracket for the 2" (49mm) wide model is P/N 10195-1, and for the 4" (98mm) wide model the P/N is 10202-1. The bracket is anodized aluminum.

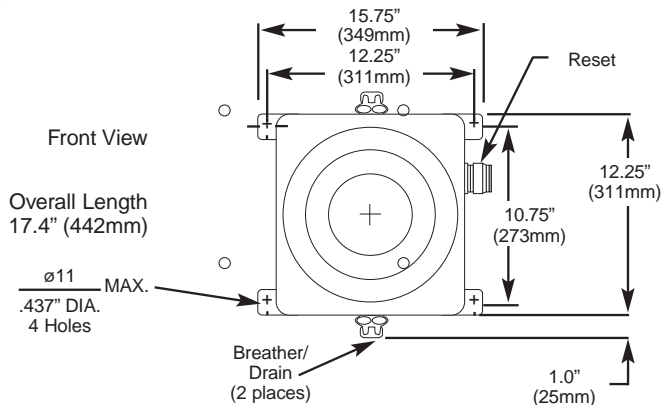
| Model | I | II |
|-----------------------|---------------|---------------|
| 2" (49mm) wide models | 4.25" (108mm) | 3.56" (93mm) |
| 4" (98mm) wide models | 6.34" (161mm) | 5.79" (147mm) |



Explosion-Proof Housing



The NEMA 7 Housing is approved for Class I, Division 1, Groups C & D hazardous areas. It is for use with all General Monitors 2" and 4" wide controllers. The housing is provided with two conduit connections on each side, right and left. A reset switch is also provided on the right side for use when the controller(s) is ordered with latching alarms. The housing will accommodate one or two 2" (49mm) wide models. It can also house one 4" (98mm) wide model. Order P/N 10099.



Specifications subject to change without notice.

Represented by:



Thank you for reading this data sheet.

For pricing or for further information, please contact us at our UK Office, using the details below.



UK Office

Keison Products,

P.O. Box 2124, Chelmsford, Essex, CM1 3UP, England.

Tel: +44 (0)330 088 0560

Fax: +44 (0)1245 808399

Email: sales@keison.co.uk

Please note - Product designs and specifications are subject to change without notice. The user is responsible for determining the suitability of this product.