

## Filter Self-Rescuers W 65-2, W 65 & W 95

*Safe escape from underground*

# Filter Self-Rescuers



The MSA Filter Self-Rescuers W65-2/W65 and W 95 are Air-Purifying Respirators for one-time escape use providing protection against toxic carbon monoxide (CO) and other gases emitted in underground mine fires or explosions.

The Filter Self-Rescuer is immediately ready-for-use after opening and removal from the container. It has a Latex-free mouthpiece and nose clip to reliably protect the user from the contaminated ambient air. The adjustable head harness allows for a tight fit and hands-free usage. The sturdy stainless steel container is hermetically sealed, providing long-lasting protection for the respirator.

*MSA is the most successful manufacturer of filter self-rescuers world-wide. The design and construction of the filter self-rescuer up to the present day is the fruit of the extensive experience gained through MSA's long-standing association with mine rescue worldwide.*

## Design & Functionality

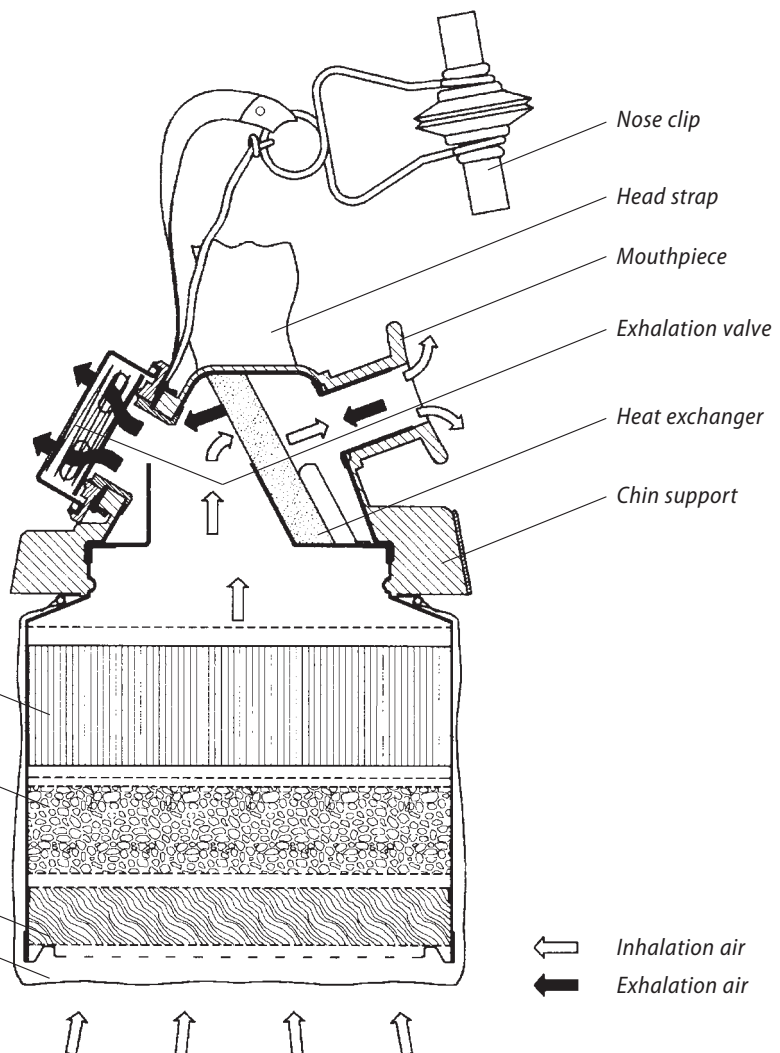
The CO-filter is an oxidation catalyst which converts the carbon monoxide to carbon dioxide. The catalytic reaction is exothermic – an integral heat exchanger reduces the inhalation air temperature to a tolerable level. The expired air is passed back through the heat exchanger and a spring-loaded exhalation valve into the ambient air.

CO catalyst  
(W 65-2/W65 Hopcalite)  
(W 95 Noble metal)

Charcoal dryer (W 65-2/W 65)  
Hopcalite Pre-filter (W 95)

Dust filter

Mechanical filter bag



↑ Inhalation air  
↓ Exhalation air

# One-time escape devices

## Filter Self-Rescuer W 65-2/W 65

### Standard version

The W 65-2/W 65 is a standard Filter Self-Rescuer, available in shoulder carrying mode (W 65-2) or with integral belt loop (W 65/W 65-2 BL). The CO-filter uses the catalyst Hopcalite and a drying agent to retain inhalation air moisture.



Belt loop

Shoulder carrying mode

## Filter Self-Rescuer W 95

### Version for extended escape routes

The W 95 is a Filter Self-Rescuer designed for extended escape routes, available in shoulder carrying mode (W 95) or with integral belt loop (W 95 BL). The CO-filter uses a noble metal catalyst and a Hopcalite pre-filter. This unique combination provides high breathing comfort together with reduced inhalation resistance and temperature. It has a service life of more than 4 hours.



W 65-TR

W 95-TR

## Training devices

### Simple & economical training

Filter Self-Rescuer trainer versions provide simple and economical user training in a non-contaminated atmosphere. After use, they can easily be cleaned, assembled, and used again. For clear identification they are stored in blue containers.

The standard model W 65-TR simulates size, weight, donning procedure and breathing resistances.

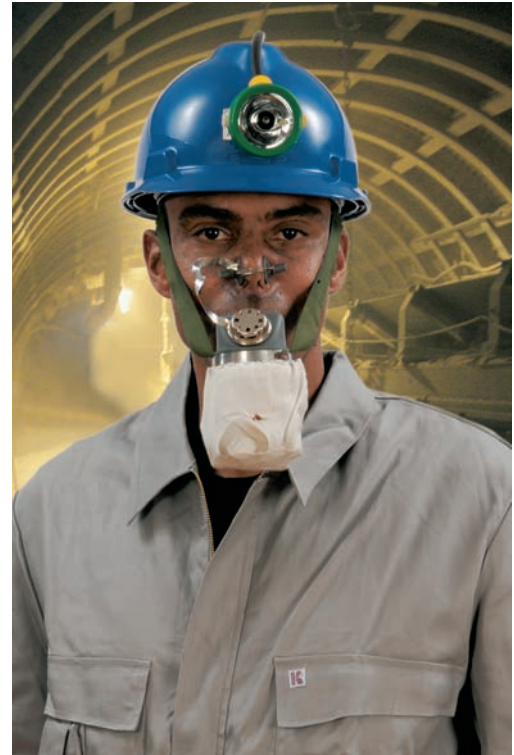
The new training device W 95-TR in addition provides inhalation air at temperatures of up to 55 °C for approx. 15 minutes. This permits the trainees to familiarize themselves with the hot dry air typical under emergency conditions. The W 95-Trainer is delivered as a "cold air" trainer with an air restrictor to simulate breathing resistance and weight. For "hot air" training the restrictor is simply replaced by the single-use hot air cartridge.

	Features	Benefits
<b>Optimal protection</b>	Sturdy construction	Increased safety in rough underground mining conditions
	Belt or shoulder carrying mode	Ready for immediate use
	Unique combination of noble metal catalyst & hopcalite pre-filter (W 95)	Extended service life (more than 4 hours)
	Equipped with mouthpiece & nose clip	Intuitive use
<b>Excellent wearer comfort</b>	Small size & low weight	Easy to carry on the job
<b>Cost effectiveness</b>	Rugged stainless steel container	Long life expectancy
	Sealed container	Maintenance free
	Choice of trainer versions	Simple and economical training

## Technical Data

W 65-2/W 65	
Dimensions (incl. container)	W 65-2/W 65-TR: H 160 x W 100 x D 80 mm W 65-2 BL: H 160 x W 100 x D 85 mm W 65: H 100 x W 100 x D 80 mm
Weight	Approx. 1200 g (incl. container) Approx. 800 g (ready-for-use)
Service life	W 65-2: Approx. 120 min (one-time use) W 65: Approx. 60 min (one-time use)
Carrying mode	With shoulder strap (accessory) Belt-worn (W 65-2 BL)
Approvals	EN 404 (FSR 4BR) AS/NZS 1716:2003 (W 65)

W 95	
Dimensions (incl. container)	W 95-2/W 95-TR: H 140 x W 100 x D 80 mm W 95-2 BL: H 140 x W 100 x D 85 mm
Weight	Approx. 900 g (incl. container) Approx. 520 g (ready-for-use)
Service life	Approx. 240 min (one-time use)
Carrying mode	With shoulder strap (accessory) Belt-worn (W 95 BL)
Approvals	EN 404 (FSR 4BR)



## Ordering Information

W 65-2/W 65	
D1035701	Filter Self-Rescuer W 65-2
10064638	Filter Self-Rescuer W 65-2 BL
D1038940	Training Filter Self-Rescuer W 65-TR
D1090701	Filter Self-Rescuer W 65 (Australian version)
W 95-2	
D1034700	Filter Self-Rescuer W 95
10014932	Filter Self-Rescuer W 95-BL
10093152	Training Filter Self-Rescuer W 95-TR
Accessories	
D1014903	Shoulder carrying strap
10093137	Hot air cartridge for W 95-TR, 6 pcs.

BL: With belt loop





Thank you for reading this data sheet.

For pricing or for further information, please contact us at our UK Office, using the details below.



**UK Office**

**Keison Products,**

**P.O. Box 2124, Chelmsford, Essex, CM1 3UP, England.**

**Tel: +44 (0)330 088 0560**

**Fax: +44 (0)1245 808399**

**Email: [sales@keison.co.uk](mailto:sales@keison.co.uk)**

Please note - Product designs and specifications are subject to change without notice. The user is responsible for determining the suitability of this product.