



Model EC Series

Compact Bench Counting Scales

Ohaus EC Series Counting Scale – Speed, Accuracy, and Portability for Counting Operations

Ohaus EC Series Counting Scales are designed for fast, accurate operation at an economical price. Ideally suited for stocktaking, stores use, rentals and other counting applications, with an internal counting resolution of 1:600,000. Ohaus EC Counting Scales offer accuracy, durability and portability in one practical design.

Standard Features:

- Three-window, backlit LCD with fast display of weight, average piece weight and parts count
- Full counting keypad with numeric keys
- Pre-set Tare and dedicated TARE and SAMPLE keys for fast operation
- Gram or pound weighing units
- 10 Average Piece Weight memory locations for commonly-counted parts
- Accumulator function for weight and parts count
- Auto-optimization feature recalculates APW constantly for enhanced parts counting accuracy
- 80-hour Internal rechargeable battery with power-saving Auto-shut off feature
- Adjustable filtering level and Auto-Zero Tracking for weighing in industrial condition

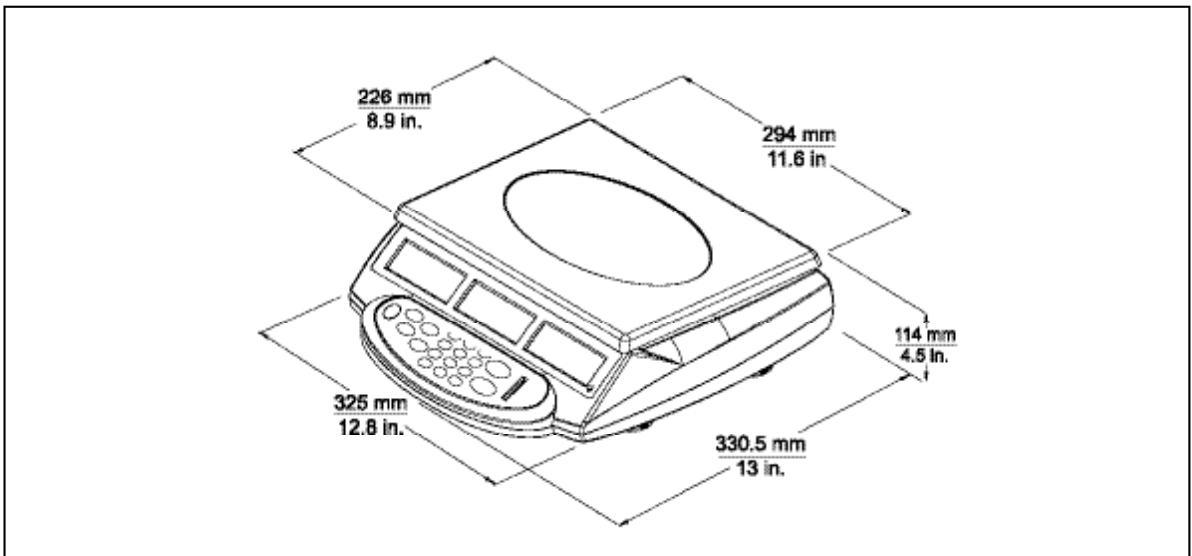
Model EC Compact Bench Counting Scales

Flexible Operation for Counting Applications

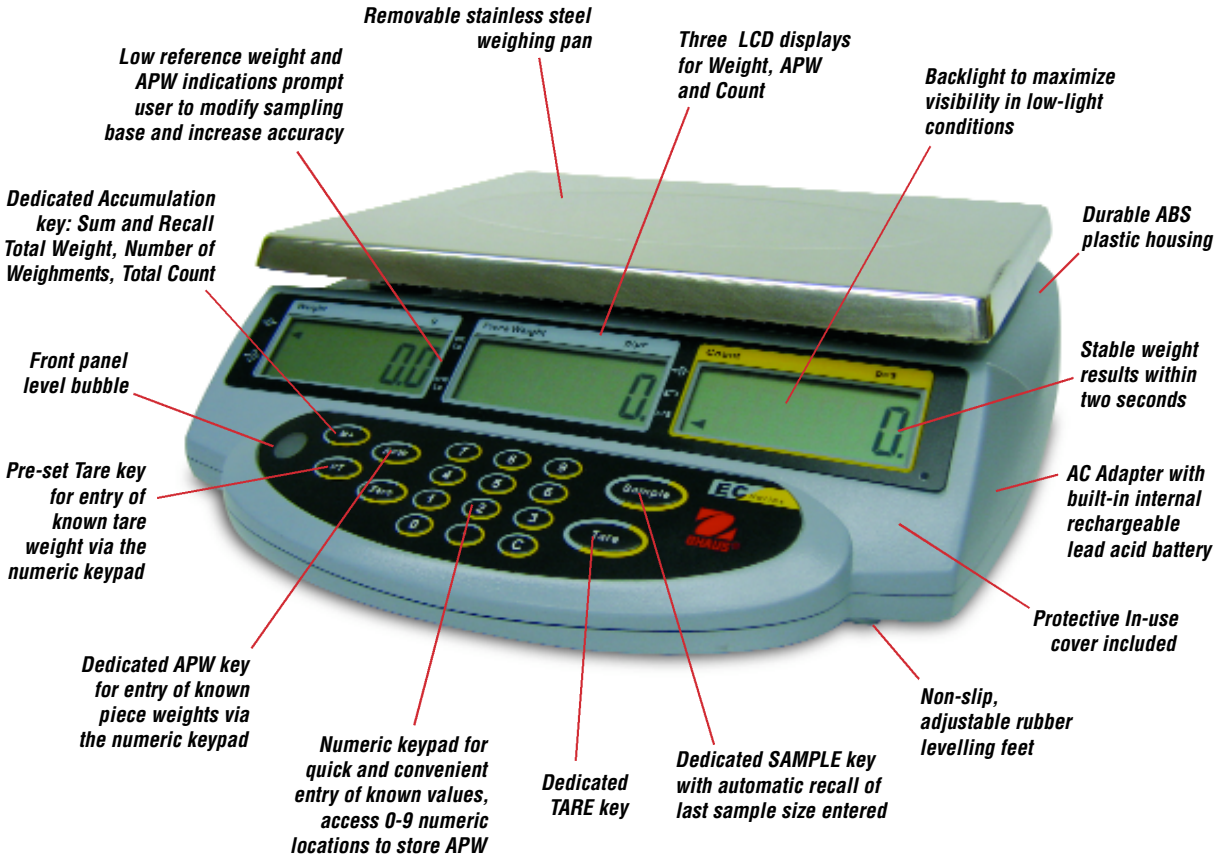
The EC Counting Scale offers features for fast and accurate use:

- **Fast Sampling** – Enter the number of pieces in your sample, press the dedicated Sample key, and start counting.
- **Manual APW Entry** – For parts with an established Average Piece Weight, just input the APW value, press the dedicated APW key, and start counting.
- **Auto Optimisation** – Start with a small sample size of 10, and then add random lots of pieces (below original sampling size) to increase your Average Piece Weight accuracy. The EC Counting Scale continues to recalculate the APW with each batch of parts you count.
- **Positive or Negative Counting** – Count into or out of a container, keeping track of how many pieces are on the scale or have been removed.
- **Dedicated Keys** – The EC Counting Scale has dedicated keys for the most common counting operations – Sample, Tare, Zero, APW entry, and Pre-Set Tare entry.
- **Low Weight Alerts** – If the total weight or APW is too low, the EC Counting Scale will warn the user.
- **Flexible Taring** – Preset tare weights can be quickly entered via the keyboard, or use the Tare key.
- **Accumulation** – Use the dedicated memory key to accumulate weighments on the platform. The EC Counting Scale can display total weight accumulated, number of weighments, and a total parts count.
- **APW Memories** – 10 memory locations for storing commonly-used part weights, easily accessed using the numeric keypad.
- **Portability** – Designed for portable counting applications, the EC Counting Scale offers integrated carry handles and an internal rechargeable battery.

Outline Dimensional Drawings

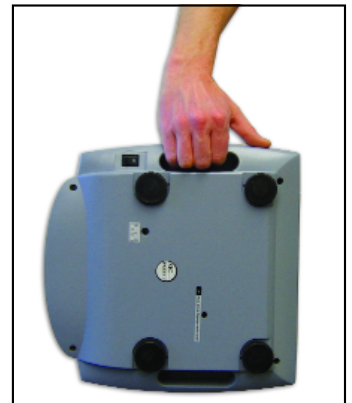


Ohaus EC Counting Scales: Features at a Glance



A Wide Range of Counting Applications and Industries:

- In-Process Parts Counting
- Receiving
- Shipping
- Warehousing
- Stock Rooms
- Rentals
- Inventory Control
- Kitting/Packaging
- Prepackaging
- Quality Control and Assurance
- Agriculture
- Automotive
- Electronics
- Printing
- Manufacturing
- Retail
- Ticket Counting
- Pull Tab Counting
- Catering
- Print Shops



Integrated handles in the housing allow easy transportation of the EC Scale

Model EC Compact Bench Counting Scales

Specifications

| Capacity x Readability | 3000 g x 0.1 g | 6000 g x 0.2 g | 15000 g x 0.5 g | 30000 g x 1 g |
|--|--|----------------|-----------------|---------------|
| Minimum Recommended Sample Weight | 1 g | 2 g | 5 g | 10g |
| Minimum Recommended APW | 0.01 g | 0.02 g | 0.05 g | 0.1 g |
| Maximum Internal Counting Resolution | 1:600,000 | | | |
| Maximum Displayed Resolution | 1:30,000 | | | |
| Weighing Units | g or lb (menu selected) | | | |
| Application Modes | Weighing, Counting, Accumulation | | | |
| Display | 3-Window, backlit LCD 0.75in / 19mm High, 6-digit, 7-segment | | | |
| Display Indicators | Stability, Center of Zero, Tare, Low Sample Weight, Low APW, Accumulation, Battery Status, Weighing Unit | | | |
| Memories | 10 locations for APW | | | |
| Keyboard | 7 function (Tare, Sample, APW, Zero, Pre-set Tare, M+, Cancel), 11 numeric membrane keys | | | |
| Tare Range | To Full Capacity by Subtraction (except EC15, up to 20 lbs/10kg only) | | | |
| Stabilization Time | 2 seconds | | | |
| Auto-Zero Tracking | 0 (off), 0.5, 1, 2, 3d | | | |
| Safe Overload Capacity | 120% of capacity | | | |
| Power | AC Adapter (included) / Internal rechargeable lead acid battery (included) | | | |
| Battery Life | 80 hours continuous use with 12 hour recharge time | | | |
| Calibration | External, with user-selectable calibration weight | | | |
| Operating Temperature and Humidity Range | 32° to 104° F / 0° to 40° C | | | |
| Pan Size (mm) | 294 x 226 | | | |
| Scale Dimensions (mm) | 325 W x 330.5 D x 114 min H | | | |
| Shipping Dimensions (mm) | 440 W x 360 D x 160 H | | | |
| Net Weight (kg) | 4.2 | | | |
| Shipping Weight (kg) | 5.3 | | | |
| Item Number | EC3 | EC6 | EC15 | EC30 |



Thank you for reading this data sheet.

For pricing or for further information, please contact us at our UK Office, using the details below.



UK Office

Keison Products,

P.O. Box 2124, Chelmsford, Essex, CM1 3UP, England.

Tel: +44 (0)330 088 0560

Fax: +44 (0)1245 808399

Email: sales@keison.co.uk

Please note - Product designs and specifications are subject to change without notice. The user is responsible for determining the suitability of this product.