

**3 Way Proportional pressure control valve  
G 1/4 or 1/4 NPT and manifold  
Nominal orifice 4**

**Closed-loop air piloted proportional pressure control valve**

**Fast response time with pressure output display**

**High flow**

**Excellent performance characteristics**

**Adjustable gain**

**Adjustable pressure range**

**Low power consumption**

**Feedback signal**

**Manifold mountable**

**Technical data**

Medium:

Compressed air filtered to 5 µm, dry and non-lubricated

Operation:

Air piloted spool valve with integrated electronic pressure control

Output pressure:

0 to 2, 0 to 6, 0 to 10 bar (or PSI equivalent)

Supply pressure:

Minimum 2 bar above maximum output required, 14 bar max.

Supply sensitivity:

Better than 0,75% span output change per bar supply pressure change

Flow:

Up to 1400 NI/min max. (see characteristic curves)

Response time:

< 80 ms (from 10 - 90% of output pressure into a 0,1 litre load)

Air consumption:

< 5 NI/min

Ambient temperature:

0°C to +50°C

Contact our technical service for use below +2°C

Temperature effect:

Typically better than 0,03% of span/°C for span and zero over operating range

Degree of protection:

IP 65 in normal operation

Display accuracy:

Better than ± 3% of span

Linearity: < 1%

Hysteresis: < 1%

Vibration immunity:

< 3% output shift for ± 3 g 10-150 Hz

Weight:

approx. 0,30 kg



**Materials:**

Body: aluminium

Lid and end cover: nylon

**Electrical parameters**

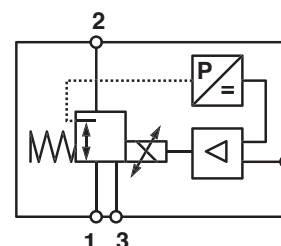
see page 2

**Ordering information**

See page 2

**Alternative models**

ISO 2 manifold version, with adaptor plate



### Electrical parameters

Electromagnetic compatibility	CE marked: conforms to EC requirements EN 50081-2 (1994) and EN 50082-2 (1995)
Electrical input signal	4 to 20 mA or 0 to 10 V factory set
Electrical power input	24 V d.c. ±25% (power consumption < 1 W)
Output pressure feedback signal	0 ... 10 V full range
Connections	M12x1, 5-pin

### Options selector

VP50★★S★★★11H00

Control signal	Substitute
0 ... 2 bar/30 psi	02
0 ... 6 bar/90 psi	06
0 ... 10 bar/150 psi	10

Unit for pressure	Substitute
Bar	B
PSI	P

Other versions on request

Input signal	Substitute
0 ... 10 V	1
4 ... 20 mA	4

Ports size	Substitute
G 1/4	J
NPT 1/4	K
Manifold	X

### Ordering example

Proportional pressure control valve, output 0-2 bar,

port size G1/4, input signal 4 ... 20 mA

Please note: An wireable straight connector (M12x1, 5-pin) is included

**Quote: VP5002SBJ411H00**

### Connecting plugs

Straight connector M 12 x 1



page 7

0523822 (5-pin, 5 m cable, 5 x 0,34 mm<sup>2</sup>)

-

-

Elbow connector M 12 x 1



page 7

0250081 (5-pin, 5 m cable, 5 x 0,34 mm<sup>2</sup>)

0250472 (5-pin, 10 m cable, 5 x 0,34 mm<sup>2</sup>)

0252543 (5-pin, wireable)

### Manifold mount assembly to ISO 2 sub base

Single manifold

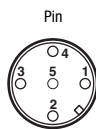


page 4

ZZ5M00

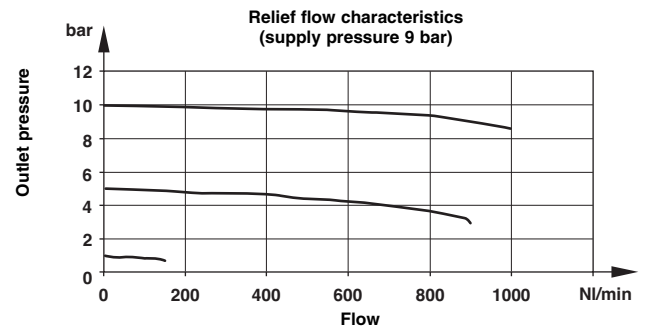
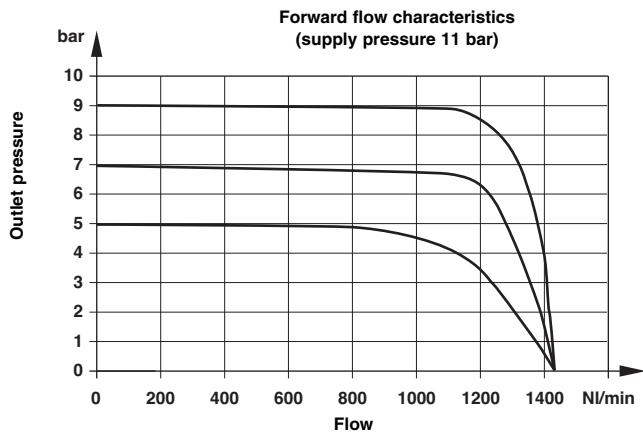
O-rings, flat seal and screws are included

### Electrical connector pin looking into the end of the instrument

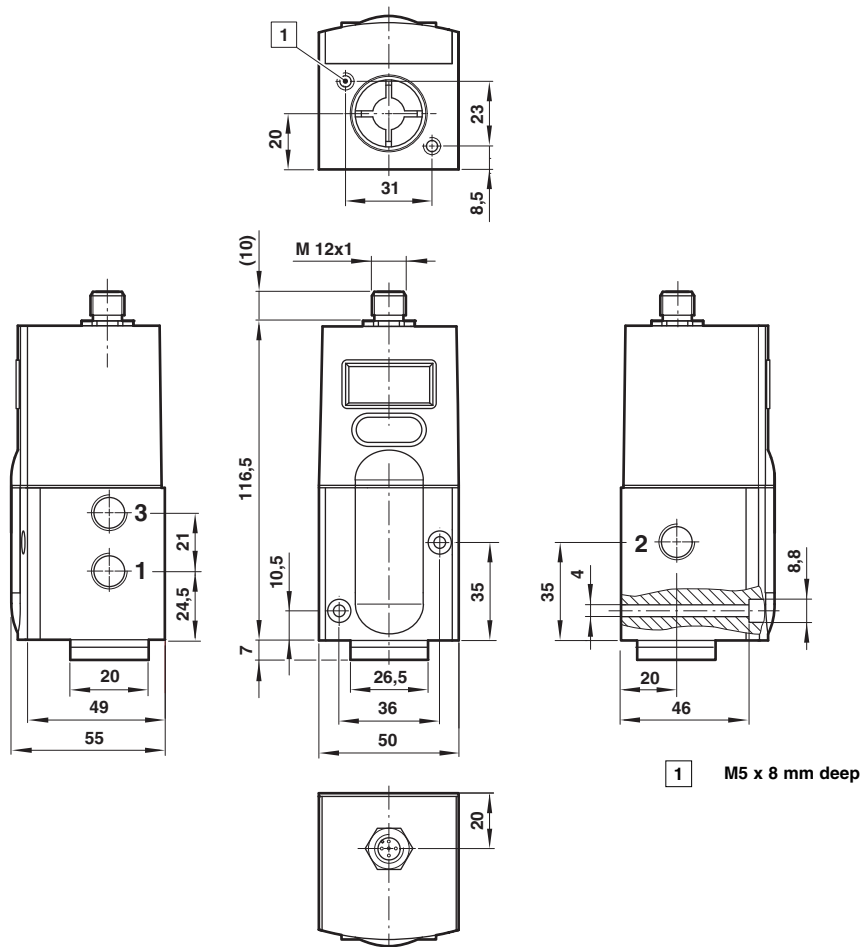


Pin- No.	Function
1	+24 V d.c. supply
2	0 ... 10 V feedback
3	Control signal (+VE)
4	Common (supply signal and feedback return)
5	Chassis

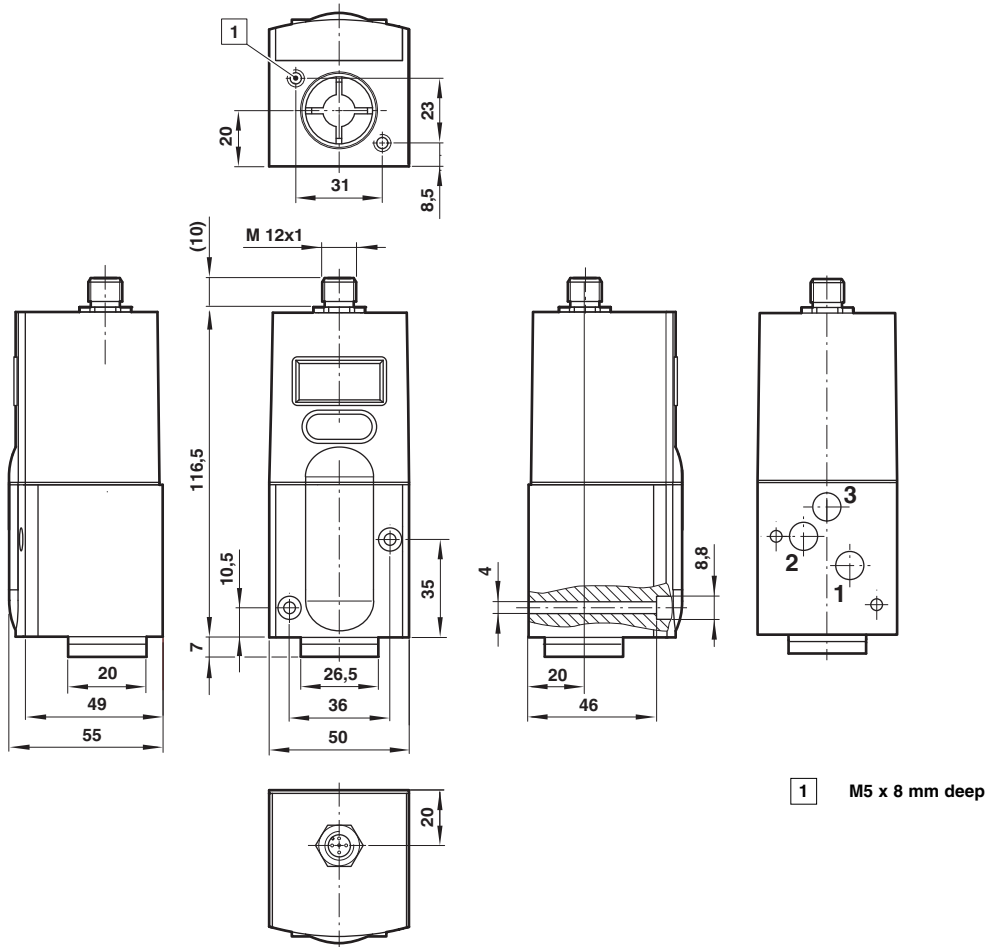
**Characteristic curves**



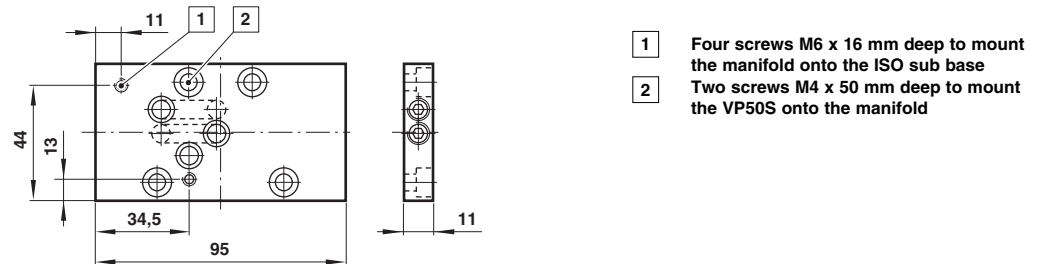
**Basic dimensions**



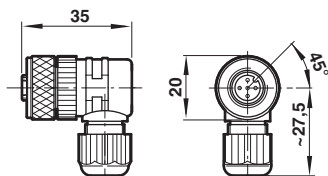
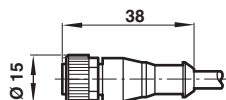
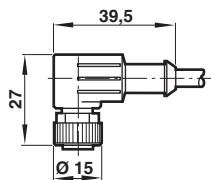
VP50 with manifold surface



Manifold mount assembly to ISO 2 sub base  
Included all seals and screws



**Connector**



**Connector, 90°**

M12 x 1, 5-pin, female, A coded and 5 m cable length

Model: 0250081

M12 x 1, 5-pin, female, A coded and 10 m cable length

Model: 0250472

**Connector, straight**

M12 x 1, 5-pin, female, A coded and 5 m cable length

Model: 0523822

**Connector, 90°**

M12 x 1, 5-pin, female, A coded

Model: 0252543



Thank you for reading this data sheet.

For pricing or for further information, please contact us at our UK Office, using the details below.



**UK Office**

**Keison Products,**

**P.O. Box 2124, Chelmsford, Essex, CM1 3UP, England.**

**Tel: +44 (0)330 088 0560**

**Fax: +44 (0)1245 808399**

**Email: [sales@keison.co.uk](mailto:sales@keison.co.uk)**

Please note - Product designs and specifications are subject to change without notice. The user is responsible for determining the suitability of this product.